

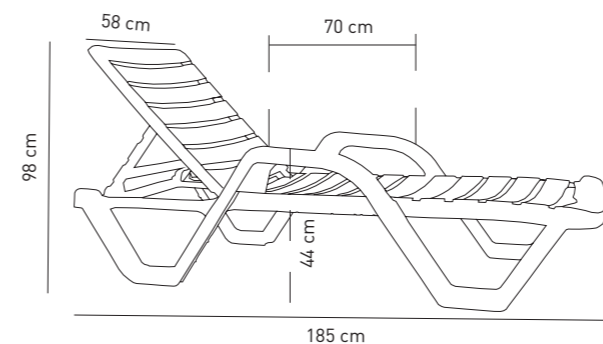


MARE | MARIS

SUNBED

Sunbed Maris

Sunlounger Maris with arm and comes in two different colors; wood and white. Tubular frame produced from polypropylene, stackable up to 25 pieces, back reclining in 5 different positions.



Sunbed Maris
 Net : 9,80 kg
 Gross : 10,00 kg

Cushion Maris
 Net : 2,00 kg
 Gross : 2,10 kg



Loading Info
 20' DC: 225 pcs
 40' DC: 475 pcs
 40' HC: 546 pcs
 90 cbm truck: 600 pcs

Loading Info
 20' DC: 450 pcs
 40' DC: 900 pcs
 40' HC: 1100 pcs
 90 cbm truck: 1250 pcs



Packaging Details
 25-28 pcs /stack
 187x70x225 cm
 2,95 cbm

Packaging Details
 22 pcs
 95x65x220h cm
 1,36 cbm

This product has CATAS certificate.

Foldable



Body in Polypropylene Resin (PP5)
Stackable up to 25 pcs
Hidden Wheels
5 Positions
For indoor / outdoor



Stackable



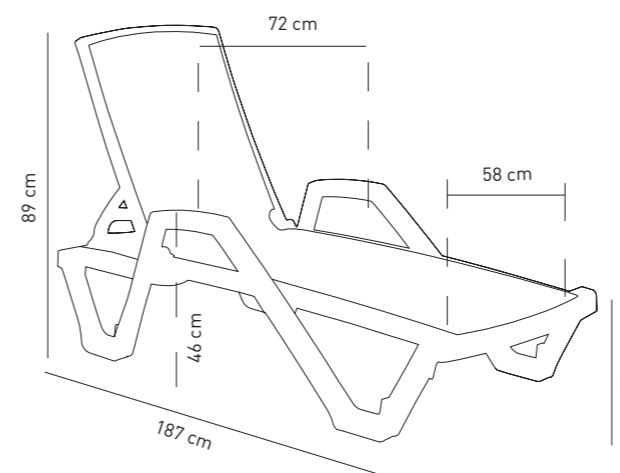
This product has CATAS certificate.



Sunbed Mare

with armrest

It is a charming model from Tilia. Sunbed Mare consists of 100% virgin polypropylene mixed with breathable and flexible synthetic fabric (net). It comes in with various matching colours such as; ivory white/beige, white/blue, wenge/beige, ivory white/yellow and green/beige. Stackable up to 20 pieces, back reclining in 4 different positions.



Stack

Net : 10,50 kg
Gross : 10,70 kg



Loading Info

20' DC: 162 pcs
40' DC: 324 pcs
40' HC: 360 pcs
90 cbm truck: 400 pcs



Packaging Details

18 pcs	20 pcs
188x76x230 cm	188x76x250 cm
3,29 cbm / 20' DC	3,58 cbm / 40' HC

This product has CATAS certificate.

Foldable



Body in Polypropylene Resin (PP5)
Stackable up to 21 pcs
Hidden Wheels
4 Positions
For indoor / outdoor
Changeable Plastic Fabric by **Plastitex**
ITALIAN TEXTILE PROJECTS

Stackable



Ivory White & Beige
106010254



Ivory White & Blue
106010255



Ivory White & Yellow
106010256



Ivory White & Turquoise
0000



Wood & Beige
106010031



Green & Beige
106010026

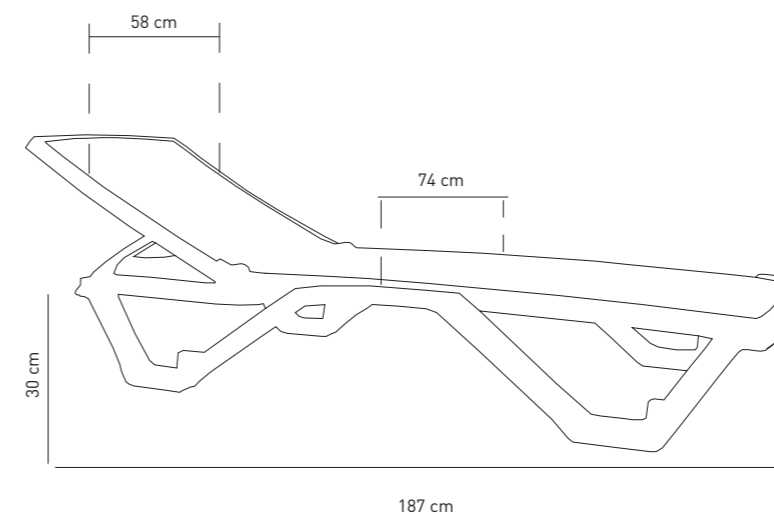


This product has CATAS certificate.

Sunbed Mare

without armrest

It is a charming model from Tilia. Sunbed Mare consists of 100% virgin polypropylene mixed with breathable and flexible synthetic fabric (net). It comes in with various matching colours such as; ivory white/beige, ivory white/blue, wenge/beige, ivory white/yellow and green/beige. Stackable up to 20 pieces, back reclining in 4 different positions.



Stack

Net : 10,30 kg
Gross : 10,50 kg



Loading Info

20' DC: 180 pcs
40' DC: 360 pcs
40' HC: 418 pcs
90 cbm truck: 460 pcs



Packaging Details

18 pcs	20 pcs
188x76x230 cm	188x76x250 cm
3,29 cbm / 20' DC	3,58 cbm / 40' HC

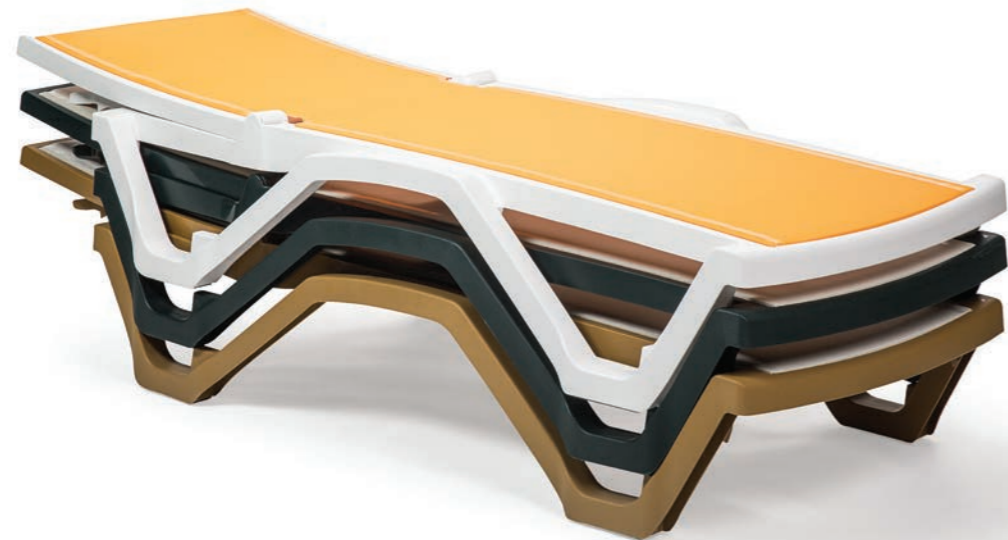
This product has CATAS certificate.

Foldable



Body in Polypropylene Resin (PP5)
Stackable up to 22 pcs
Hidden Wheels
4 Positions
For indoor / outdoor
Changeable Plastic Fabric by **Plastitex**
ITALIAN TEXTILE PROJECTS

Stackable



Coffee & Beige
0000



Ivory White & Blue
106010258



Ivory White & Yellow
106010259



Ivory White & Turquoise
0000



Wood & Beige
106010029



Green & Beige
106010030



This product has CATAS certificate.

Savaş Plastik A.Ş.

Beysan Sanayi Sitesi Birlik Caddesi No:18
34524 Beylikdüzü, İstanbul, Türkiye



+90 850 346 65 65



+90 212 422 34 06



+90 212 422 46 25



www.tilia.com.tr



[/tiliafurniture](https://www.instagram.com/tiliafurniture)



[/TiliaFurniture](https://plus.google.com/+TiliaFurniture)



info@tilia.com.tr



[/tiliaContract](https://www.facebook.com/tiliaContract)



[/TiliaFurniture](https://www.pinterest.com/TiliaFurniture)



www.tilia.com.tr



Indoor 2019



Outdoor 2019