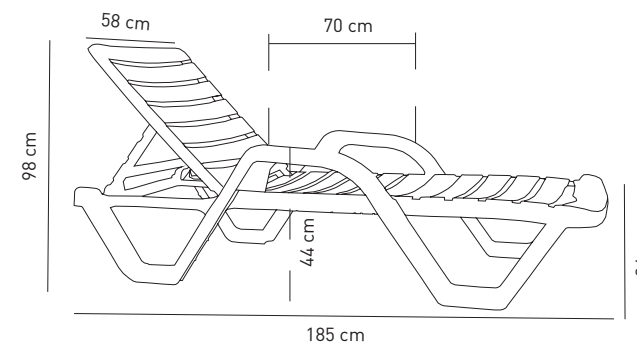




Sunbed | Maris
Mare

Sunbed Maris

Sunlounger Maris with arm and comes in two different colors; wood and white. Tubular frame produced from polypropylene, stackable up to 25 pieces, back reclining in 5 different positions.



Sunbed Maris
 Net : 9,80 kg
 Gross : 10,00 kg

Cushion Maris
 Net : 2,00 kg
 Gross : 2,10 kg



Loading Info
 20° DC: 225 pcs
 40° DC: 475 pcs
 40° HC: 546 pcs
 90 cbm truck: 600 pcs

Loading Info
 20° DC: 450 pcs
 40° DC: 900 pcs
 40° HC: 1100 pcs
 90 cbm truck: 1250 pcs



Packaging Details
 25-28 pcs /stack
 187x70x225 cm
 2,95 cbm

Packaging Details
 22 pcs
 95x65x220h cm
 1,36 cbm

These products have **CATAS** certificates.

Foldable



- Body in Polypropylene Resin (PP5)
- Stackable up to 25 pcs
- Hidden Wheels
- 5 Positions
- For indoor / outdoor

Stackable



Ivory White | 101040015



Wood | 101040003

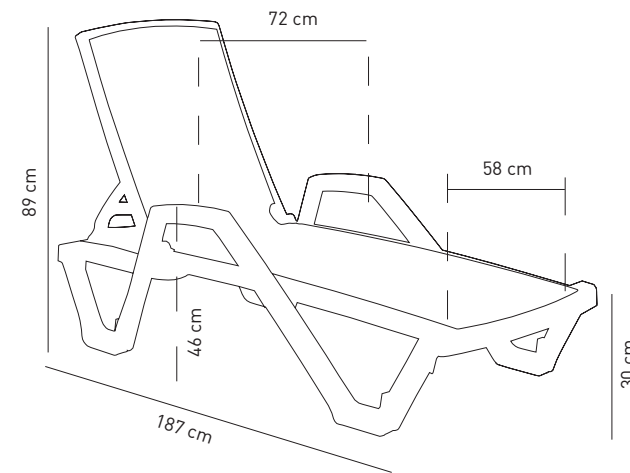




Sunbed Mare

with armrest

It is a charming model from Tilia. Sunbed Mare consists of 100% virgin polypropylene mixed with breathable and flexible synthetic fabric (net). It comes in with various matching colours such as; ivory white/beige, white/blue, wenge/beige, ivory white/yellow and green/beige. Stackable up to 20 pieces, back reclining in 4 different positions.



Stack

Net : 10,50 kg
Gross : 10,70 kg



Loading Info

20' DC: 162 pcs
40' DC: 324 pcs
40' HC: 360 pcs
90 cbm truck: 400 pcs



Packaging Details

18 pcs	20 pcs
188x76x230 cm	188x76x250 cm
3,29 cbm / 20' DC	3,58 cbm / 40' HC

These products have **CATAS** certificates.

Foldable



Body in Polypropylene Resin (PP5)

Stackable up to 21 pcs

Hidden Wheels

4 Positions

For indoor / outdoor

Changeable Plastic Fabric by **Plastitex**
ITALIAN TEXTILE PROJECTS



Ivory White & Beige | 106010254



Ivory White & Blue | 106010255



Ivory White & Yellow | 106010256



Ivory White & Turquoise | ?

Stackable



Wood & Beige | 106010031

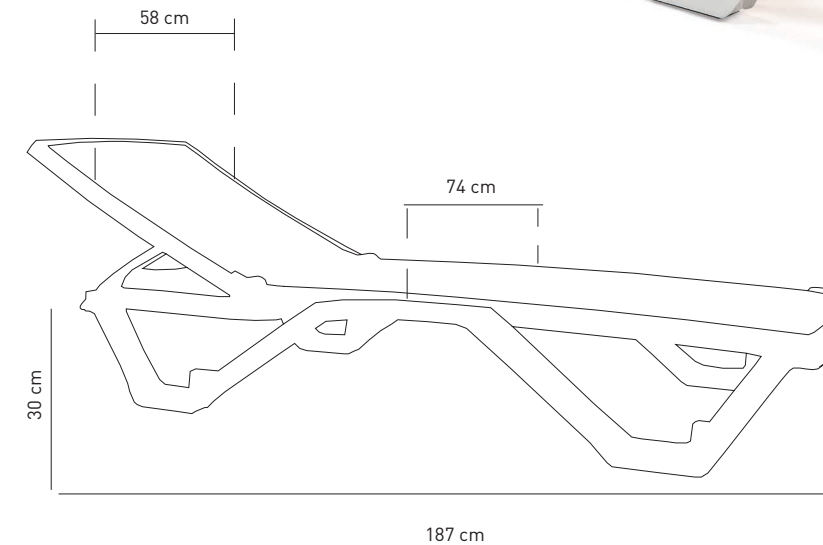
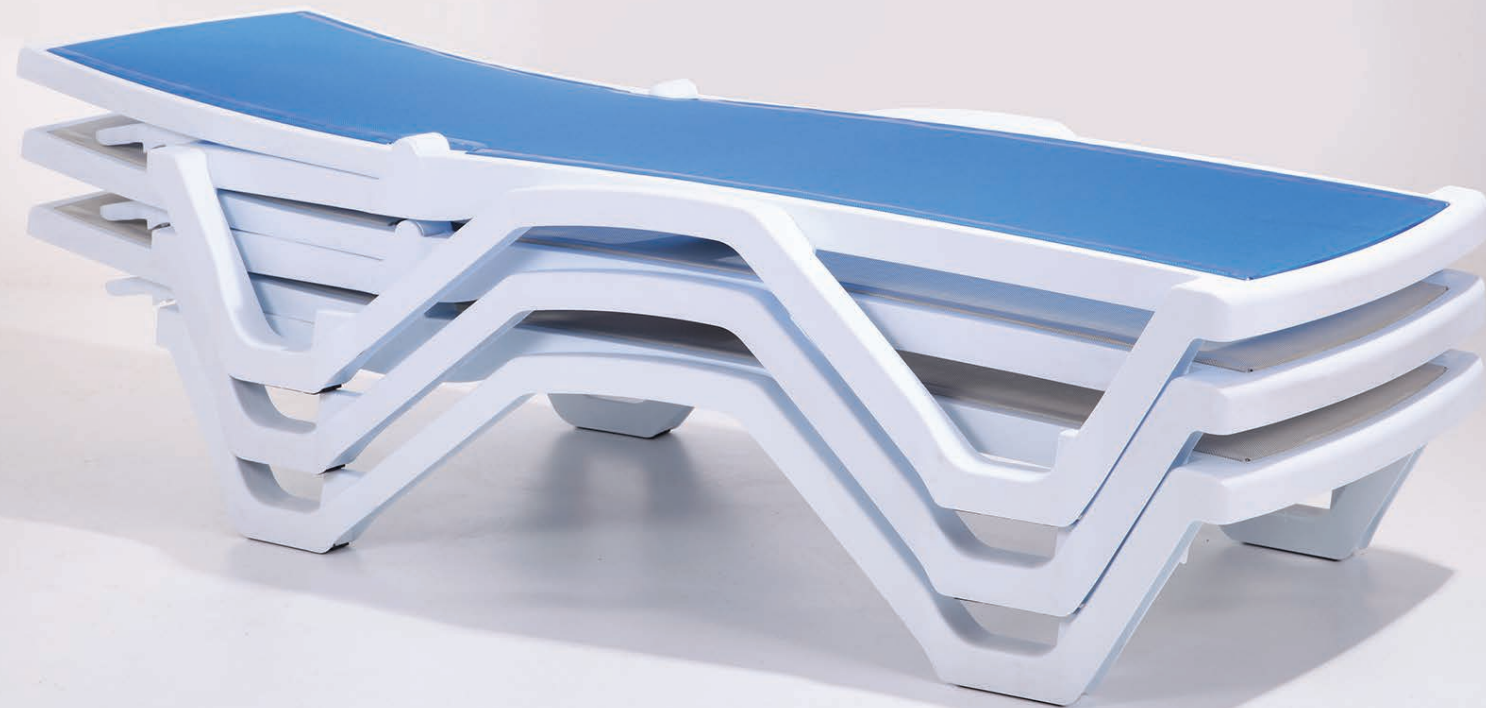


Green & Beige | 106010026

Sunbed Mare

without armrest

It is a charming model from Tilia. Sunbed Mare consists of 100% virgin polypropylene mixed with breathable and flexible synthetic fabric (net). It comes in with various matching colours such as; ivory white/beige, ivory white/blue, wenge/beige, ivory white/yellow and green/beige. Stackable up to 20 pieces, back reclining in 4 different positions.



Stack

Net : 10,30 kg
Gross : 10,50 kg



Loading Info

20' DC: 180 pcs
40' DC: 360 pcs
40' HC: 418 pcs
90 cbm truck: 460 pcs



Packaging Details

20 pcs	22 pcs
188x76x230 cm	188x76x250 cm
3,29 cbm / 20' DC	3,58 cbm / 40' HC

These products have **CATAS** certificates.

Foldable



Body in Polypropylene Resin (PP5)

Stackable up to 22 pcs

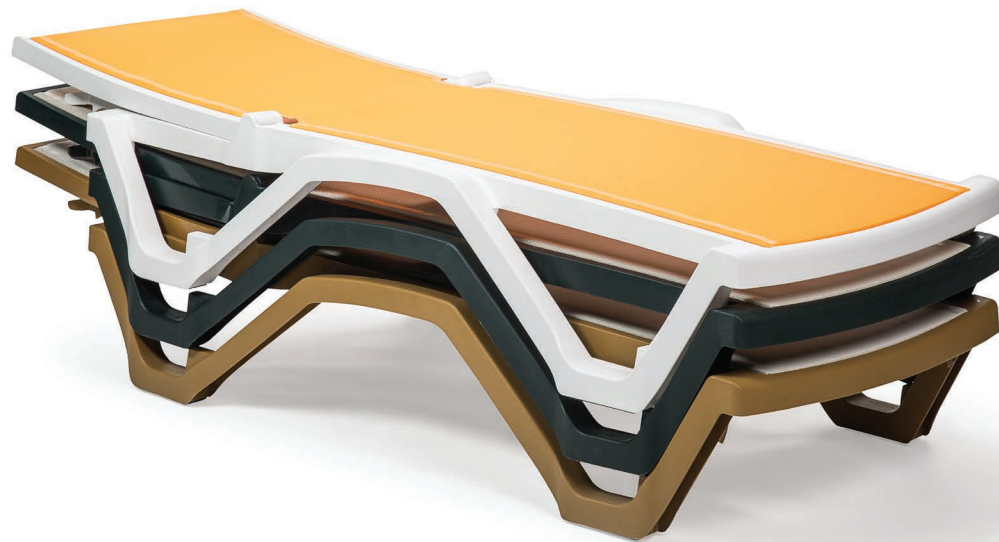
Hidden Wheels

4 Positions

For indoor / outdoor

Changeable Plastic Fabric by **Plastitex**
ITALIAN TEXTILE PROJECTS

Stackable



Ivory White & Beige | 106010257



Ivory White & Blue | 106010258



Ivory White & Yellow | 106010259



Ivory White & Turquoise | ?




Wood & Beige | 106010029





Green & Beige | 106010030


Savaş Plastik A.Ş.


Beysan Sanayi Sitesi Birlik Caddesi No:18
34524 Beylikdüzü, İstanbul, Türkiye

 +90 850 346 65 65

 +90 212 422 34 06

 +90 212 422 46 25

 www.tilia.com.tr

 /tiliafurniture

 /TiliaFurniture

 info@tilia.com.tr

 /tiliaContract

 /TiliaFurniture



www.tilia.com.tr



Indoor 2018



Outdoor 2018