



Flash-R | Flash-N

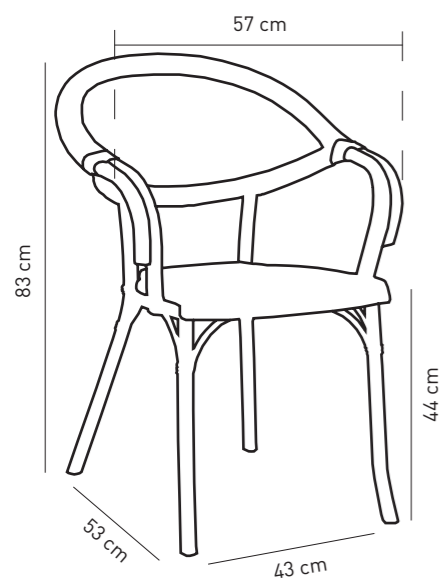
Armchair






# Armchair Flash-R

Armchair Flash-R makes your places more elegant with its interwoven texture that hides any possible scratches on its surface. It is stackable up to six pieces. The backrest and seat, constructed in wicker, allows this armchair to combine well with various Tilia wicker products like Antares and Osaka tables. Flash is manufactured as a single piece, using gas injection technology.

It comes in six different colors; ivory white, cream, wood, wenge, coffee and black.



	<b>Crtn</b>	<b>Stack</b>
	Net : 5,20 kg Gross : 6,45 kg	Net : 5,20 kg Gross : 6,18 kg
	<b>Loading Info</b>	<b>Loading Info</b>
	20' DC : 200 pcs 40' DC : 400 pcs 40' HC : 480 pcs 90 cbm truck : 600 pcs	20' DC : 336 pcs 40' DC : 742 pcs 40' HC : 848 pcs 90 cbm truck : 1020 pcs
	<b>Packaging Details</b>	<b>Packaging Details</b>
	4 pcs 65 x 74 x 117 cm 0,56 cbm	14 - 16 pcs 65 x 87 x 242 cm 1,36 cbm

Ivory White  
101010262



Cream  
101010223



Coffee  
101010263



Wood  
101010224



Wenge  
101010225



Black  
101010226



Stack





# Armchair Flash-N

Armchair Flash -N makes your places more elegant with its fabric texture that hides any possible scratches on its surface. It is stackable up to six pieces. The backrest and seat, constructed in fabric, allows this armchair to combine well with various Tilia wicker products like Antares and Osaka tables. Flash is manufactured as a single piece, using gas injection technology.

It comes in six different body colors; ivory white, cream, wood, wenge, coffee, black which is combinable with 13 different net colours: beige, beige/coffee, linen, yellow/beige, gold/black, black, smoky, light green, yellow, red, blue, navy blue, darkgreen.



Black/Black  
101020862



Black/Blue  
101020853



Black/Gold-Black  
101020861



Black/Linen  
101020864



Black/DarkBlue  
101020854



Black/Silver-Black  
101010270



Black/Smoky  
101020860



Black/Yellow-Beige  
101020859



Black/Yellow  
101020857



Coffee/?  
0000000000



Coffee/Black  
101020876



Coffee/Gold-Black  
101020875



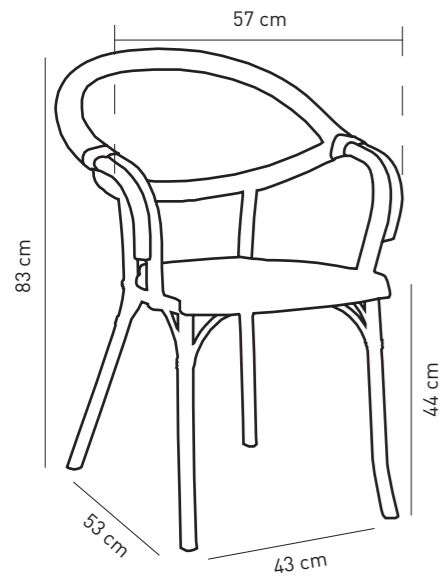
Coffee/Linen  
101020865



Coffee/Yellow-Beige  
101020873



Coffee/Red  
101020869



**Crtn**  
Net : 4,50 kg  
Gross : 5,80 kg

**Loading Info**  
20' DC : 200 pcs  
40' DC : 400 pcs  
40' HC : 480 pcs  
90 cbm truck : 600 pcs

**Packaging Details**  
4 pcs  
65 x 74 x 117 cm  
0,56 cbm

**Stack**  
Net : 4,50 kg  
Gross : 5,20 kg

**Loading Info**  
20' DC : 336 pcs  
40' DC : 742 pcs  
40' HC : 848 pcs  
90 cbm truck : 1020 pcs

**Packaging Details**  
14 - 16 pcs  
65 x 87 x 242 cm  
1,36 cbm



Coffee/Yellow  
101020871



Cream/Blue  
101020813



Cream/Linen  
101020825



Ivory White/Black  
101020810



Ivory White/Dark Green  
101020806



Ivory White/Gold-Black  
101020809



Cream/Beige-Coffee  
101020817



Cream/Yellow-Beige  
101020820



Cream/Red  
101020816



Olive Green/Ivory White  
101010551



Ivory White/Ivory White  
101010547



Coffee/Ivory White  
101010550



Wenge/Beige-Coffee  
101020844



Wenge/Blue  
101020841



Wenge/Dark Green  
101020846



Ivory White/Smoky  
101020808



Ivory White/Yellow  
101020805



Wood/Beige-Coffee  
101020830



Wenge/Gold-Black  
101020849



Wenge/Linen  
101020839



Wenge/Dark Blue  
101020842



Wood/Black  
101020836



Wood/Gold-Black  
101020835



Wood/Dark Green  
101020832



Wenge/Yellow-Beige  
101020847



Wenge/Yellow  
101020845



Ivory White/Beige-Coffee  
101020844



Wood/Linen  
101020838



Wood/Yellow  
101020831

### Body Colour Options



### Net Fabric Colours



Warp Weave	: 6.10 yarns/cm
Weft Weave	: 5.30 yarns/cm
Fabric Weight	: 560 g/sqm
Warp Tensile Strength	: 310Kg/5cm
Weft Tensile Strength	: 270Kg/5cm
Thickness	: 1.15mm
Polyvinyl	: 70%
Polyester	: 30%

Savaş Plastik A.Ş.

Beysan Sanayi Sitesi Birlik Caddesi No:18  
34524 Beylikdüzü, İstanbul, Türkiye



+90 850 346 65 65



+90 212 422 34 06



+90 212 422 46 25



[www.tilia.com.tr](http://www.tilia.com.tr)



[/tiliafurniture](https://www.instagram.com/tiliafurniture)



[/TiliaFurniture](https://plus.google.com/+TiliaFurniture)



[info@tilia.com.tr](mailto:info@tilia.com.tr)



[/tiliaContract](https://www.facebook.com/tiliaContract)



[/TiliaFurniture](https://www.pinterest.com/TiliaFurniture)



[www.tilia.com.tr](http://www.tilia.com.tr)



Indoor 2019



Outdoor 2019