



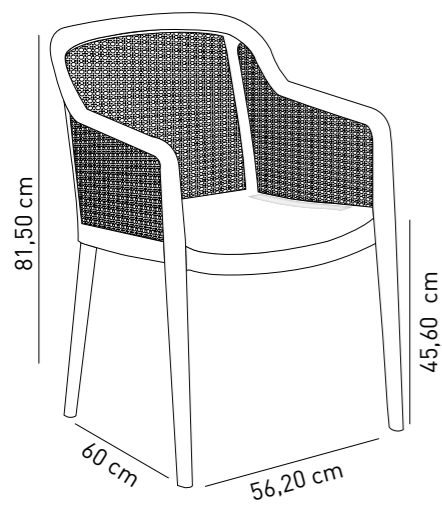
Octa




Armchair



Armchair Octa

Immediately giving off a sense of comfort, the soft rounded lines of this single-piece armchair are undoubtedly its most distinctive characteristics. The Octa is an injection-molded armchair made of polypropylene and is reinforced with glass fibers. It is also lighter because of the woven texture on the back, which is another unique feature of this armchair, further emphasizing the attention to detail. Octa armchair is useful for both indoor & outdoor. Its available in mainly 12 different colours.



	Crtn	Stack
	Net : 4,75 kg Gross : 5,95 kg	Net : 4,75 kg Gross : 5,07 kg
	Loading Info	Loading Info
	20' DC : 244 pcs 40' DC : 488 pcs 40' HC : 568 pcs 90 cbm truck : 652 pcs	20' DC : 440 pcs 40' DC : 1000 pcs 40' HC : 1000 pcs 90 cbm truck : 1160 pcs
	Packaging Details	Packaging Details
	4 pcs	20 pcs

This product has CATAS certificate.

Ivory White
101010535



Light Blue
101010543



Nile Green
101010537



Red
101010540



Charcoal
101010538



Wenge
101010545



Cream
101010536



Turquoise
101010544



Olive Green
101010542



Tile Red
101010539



Wood
101010541



Black
101010546



Savaş Plastik A.Ş.

Beysan Sanayi Sitesi Birlik Caddesi No:18
34524 Beylikdüzü, İstanbul, Türkiye



+90 850 346 65 65



+90 212 422 34 06



+90 212 422 46 25



www.tilia.com.tr



[/tiliafurniture](https://www.instagram.com/tiliafurniture)



[/TiliaFurniture](https://plus.google.com/+TiliaFurniture)



info@tilia.com.tr



[/tiliaContract](https://www.facebook.com/tiliaContract)



[/TiliaFurniture](https://www.pinterest.com/TiliaFurniture)



www.tilia.com.tr



Indoor 2019



Outdoor 2019