



Table Osaka

FAMILY

Ø110 cm | 90x90 cm | 90x150 cm
Aluminium Base | Plastic Base



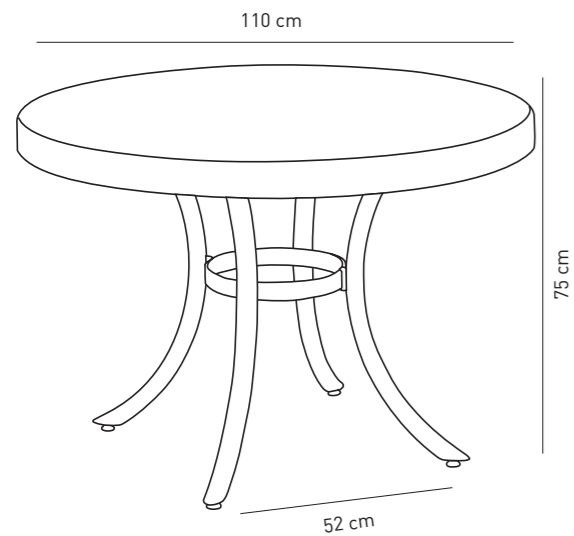
Table Osaka




Ø110 Aluminium Base
Outglass Top / Plastic Top

OSAKA 110 dia is one of the new family member of OSAKA Tables with aluminium central base. Made of uniformly colored fiberglass polypropylene resins with uv additives. It comes up with two different tops; glass and plastic. May be dismantled and has adjustable height feet. Ideal for both indoor and outdoor and available in six different colours.

Outglass Top

Plastic Top



	Crtn - Glass Top	Crtn - Plastic Top
	Net: 18,50 kg Gross: 20,00 kg	Net: 16,30 kg Gross: 17,50 kg
	Loading Info 20' DC: 360 pcs 40' DC: 720 pcs 40' HC: 900 pcs 90 cbm truck: 1000 pcs	Loading Info 20' DC: 360 pcs 40' DC: 720 pcs 40' HC: 900 pcs 90 cbm truck: 1000 pcs
	Packaging Details 2 crtns / set 114x114x9 / 0,116 cbm	Packaging Details 2 crtns / set 114x114x9 / 0,116 cbm

This product has CATAS certificate.

Plastic / Ivory White
101040181



Outlass / Ivory White
101040193



Plastic / Cream
101040182



Outlass / Cream
101040194



Plastic / Coffee
101040184



Outlass / Coffee
101040196



Plastic / Wood
101040183



Outlass / Wood
101040195



Plastic / Wenge
101040185



Outlass / Wenge
101040197



Plastic / Black
101040186



Outlass / Black
101040198





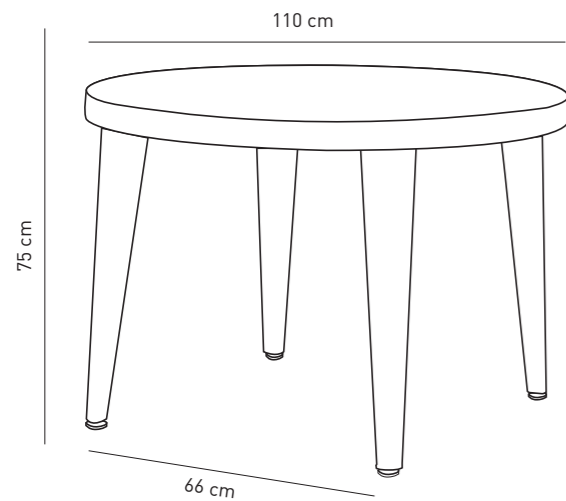
Table Osaka

Ø110 Plastic Base
Outglass Top / Plastic Top

OSAKA 110 is one of the new family member of OSAKA Table range. Resin 110 cm dia table top with four legs. Made of uniformly colored fiberglass polypropylene resins with uv additives. May be dismantled and has adjustable height feet. Ideal for both indoor and outdoor and available in six different colours.

Outglass Top

Plastic Top



Crtn - Glass Top

Net: 12,20 kg
Gross: 13,20 kg



Loading Info

20' DC: 372 pcs
40' DC: 748 pcs
40' HC: 872 pcs
90 cbm truck: 1032 pcs



Packaging Details

2 crtns / set
114x114x9 / 0,116 cbm
89x18x24 / 0,057 cbm

Crtn - Plastic Top

Net: 15,30 kg
Gross: 16,30 kg

Loading Info

20' DC: 550 pcs
40' DC: 1166 pcs
40' HC: 1325 pcs
90 cbm truck: 1624 pcs

Packaging Details

2 crtns / set
114x114x9 / 0,116 cbm
89x18x24 / 0,057 cbm

This product has CATAS certificate.

Plastic / Ivory White
101040163



Outlass / Ivory White
101040169



Plastic / Cream
101040164



Outlass / Cream
101040170



Plastic / Coffee
101040166



Outlass / Coffee
101040172



Plastic / Wood
101040165



Outlass / Wood
101040171



Plastic / Wenge
101040167



Outlass / Wenge
101040173



Plastic / Black
101040168



Outlass / Black
101040174



Table Osaka

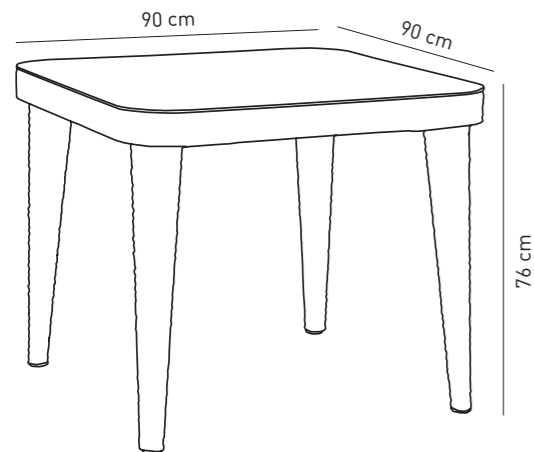
90x90 Plastic Base
Outglass Top / Plastic Top




This is the new family member of Osaka table range. We tried to combine different materials and different shapes for later join them in a single piece. Different objects working together for a common target; to create a beautiful and stable table.

So this time the top of the table comes in plastic with wooden texture and tempered glass as independent objects which join the top to compose a really harmonious group but always keeping their own identity, always showing their own shape and volume.

Outglass Top

Plastic Top



	Crtn - Glass Top	Crtn - Plastic Top
	Net: 25,00 kg Gross: 28,50 kg	Net: 20,00 kg Gross: 24,00 kg
	Loading Info 20' DC: 220 pcs 40' DC: 440 pcs 40' HC: 510 pcs 90 cbm truck: 620 pcs	Loading Info 20' DC: 220 pcs 40' DC: 440 pcs 40' HC: 510 pcs 90 cbm truck: 620 pcs
	Packaging Details 2 crtms / set 94x94x9 / 0,079 cbm 89x18x26 / 0,057 cbm	Packaging Details 2 crtms / set 94x94x9 / 0,079 cbm 89x18x26 / 0,057 cbm

This product has CATAS certificate.

Plastic / Ivory White
101040151



Outlass / Ivory White
101040157



Plastic / Cream
101040152



Outlass / Cream
101040158



Plastic / Coffee
101040154



Outlass / Coffee
101040160



Plastic / Wood
101040153



Outlass / Wood
101040159



Plastic / Wenge
101040155



Outlass / Wenge
101040161



Plastic / Black
101040156



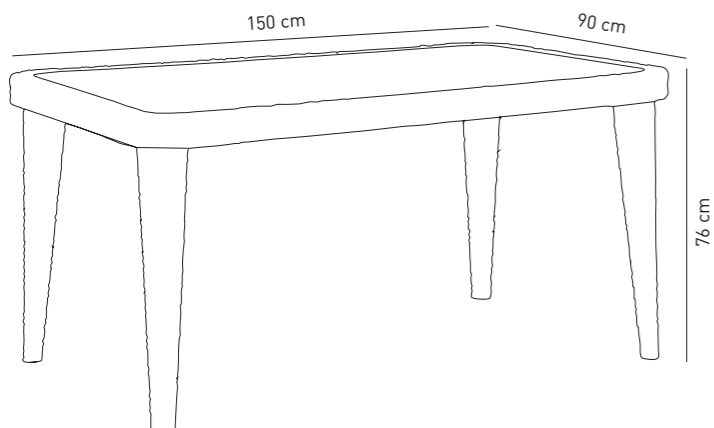
Outlass / Black
101040162






Table Osaka

90x150 Plastic Base
Ireko Top / Inglass Top / Outglass Top

Giant table. You can use it wherever you want (indoors, outdoors). Table Osaka with iroko/glass top will be the most attractive furniture in your place. Easy to assemble, clean, and carry, it is basically designed to make your life easier. Six different color options are available; Black, Wenge, Wood, Coffee, Cream and Ivory White.



	Crtn - Glass Top	Stack - Ireko Top
	Net: 30,00 kg Gross: 33,50 kg	Net: 21,50 kg Gross: 24,00 kg
	Loading Info 20' DC: 157 pcs 40' DC: 314 pcs 40' HC: 366 pcs 90 cbm truck: 450 pcs	Loading Info 20' DC: 157 pcs 40' DC: 314 pcs 40' HC: 366 pcs 90 cbm truck: 450 pcs
	Packaging Details 2 crtns / set 152x94x9 / 0,128 cbm 89x18x26 / 0,057 cbm	Packaging Details 2 crtns / set 152x94x9 / 0,128 cbm 89x18x26 / 0,057 cbm

This product has CATAS certificate.



Savaş Plastik A.Ş.

Beysan Sanayi Sitesi Birlik Caddesi No:18
34524 Beylikdüzü, İstanbul, Türkiye



+90 850 346 65 65



+90 212 422 34 06



+90 212 422 46 25



www.tilia.com.tr



[/tiliafurniture](https://www.instagram.com/tiliafurniture)



[/TiliaFurniture](https://plus.google.com/+TiliaFurniture)



info@tilia.com.tr



[/tiliaContract](https://www.facebook.com/tiliaContract)



[/TiliaFurniture](https://www.pinterest.com/TiliaFurniture)



www.tilia.com.tr



Indoor 2019



Outdoor 2019