

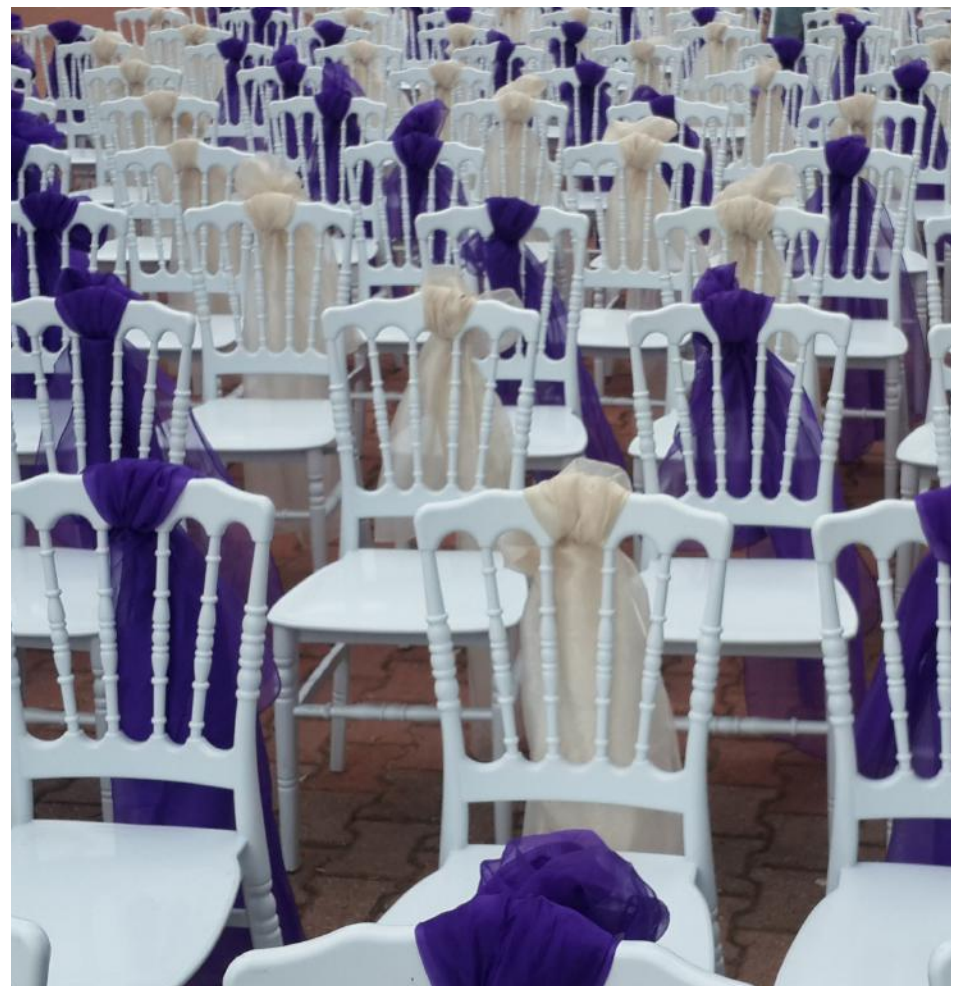
Tilia

Chair **Napoleon**

Chair **Tiffany**

Cushion **Uno, Due, Tre**



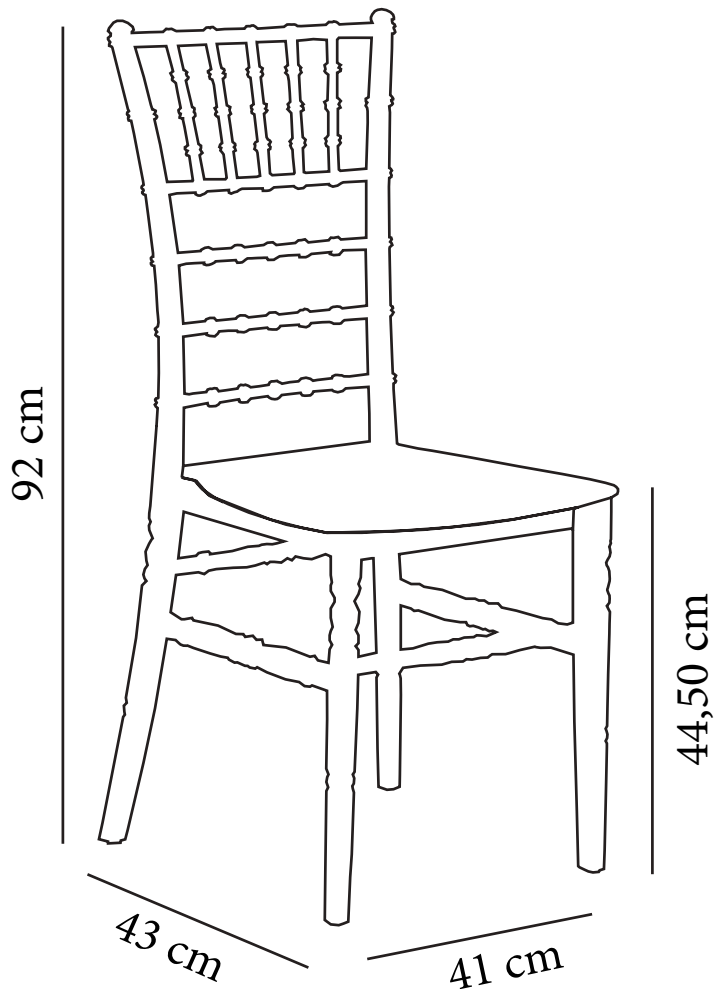




# Chair Tiffany



Tiffany chair is made of monoblock polypropylene with gas assisted injection technology. Thanks to its elegant look of the extraordinary legs and baroque style it perfectly fits into your dream wedding and organization. It can be stacked up to 10 pieces. It's both perfect for indoor and outdoor usage. It is available in white and black colours. Cushion Uno & Cushion Due & Cushion Tre can be used with the Tiffany chair. It has a test certificate for indoor and outdoor use.



## Weight

Net : 4,00 kg

Gross : 4,25 kg

## Max. Payload

200 kg

## Loading Info

20' DC : 424 pcs

40' DC : 880 pcs

40' HC : 1080 pcs

90 cbm Truck : 1300 pcs

## Packing Details

8 pcs - 41X61X233 cm - 0,58 cbm / 20'DC

10 pcs - 41X61X270 cm - 0,68 cbm / 40'HC

10 pcs - 41X61X270 cm - 0,68 cbm / Truck



EN 581-1:2006  
EN 1728:2000  
EN 1022:2005

**Turkey**  
Discover  
the potential

# Chair Tiffany

## Color Options



101020342  
White



101020345  
Black



10 pcs stackable

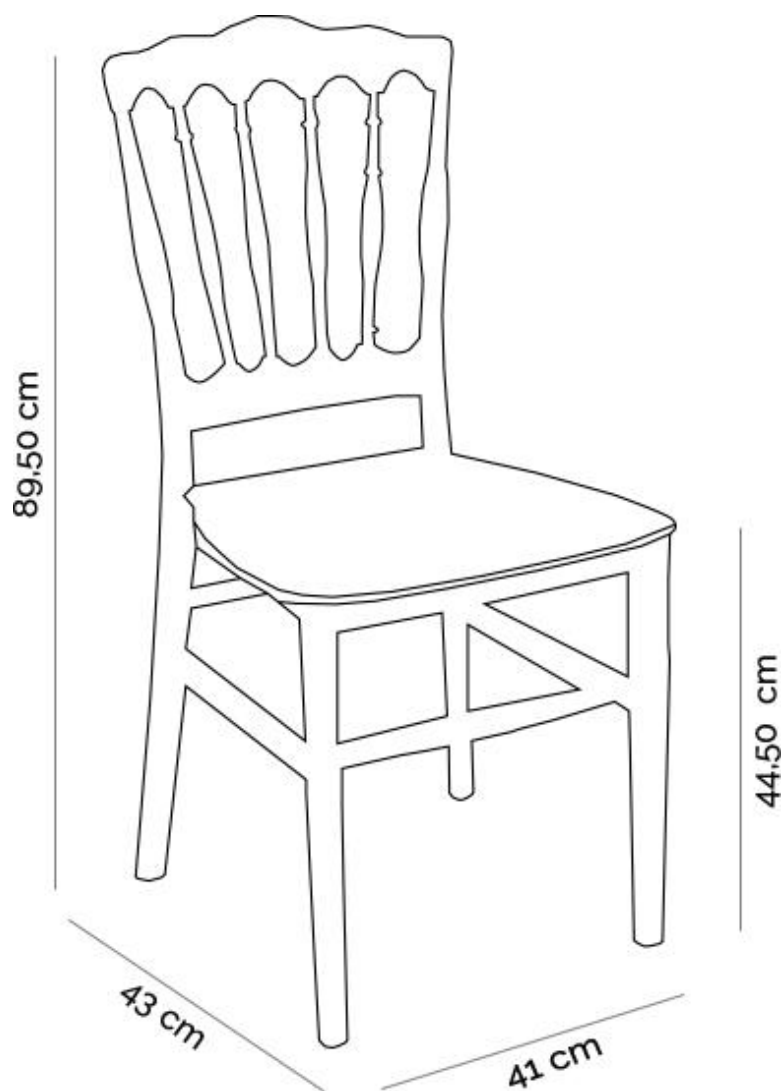


pvc stopper

# Chair Napoleon



Napoleon chair is made of monoblock polypropylene with gas assisted injection technology. You can furnish your space with the contemporary and fabulous Napoleon chair. It can be used both outdoors and indoors. Simple to stack up to 10 pieces. It is available in white, and black colours. Cushion Uno & Cushion Due & Cushion Tre can be used with the Tiffany chair. It has a test certificate for indoor and outdoor use.



## Weight

Net : 4,00 kg

Gross : 4,20 kg

## Max. Payload

200 kg

## Loading Info

20' DC : 424 pcs

40' DC : 864 pcs

40' HC : 1080 pcs

90 cbm Truck : 1300 pcs

## Packing Details

8 pcs - 41X61X231 cm - 0,58 cbm / 20'DC  
10 pcs - 41X61X268 cm - 0,67 cbm / 40'HC  
10 pcs - 41X61X268 cm - 0,67 cbm / Truck



EN 581-1:2006  
EN 1728:2000  
EN 1022:2005



Discover  
the potential

Color Options

Chair **Napoleon**



101020342  
White



101020345  
Black



10 pcs stackable



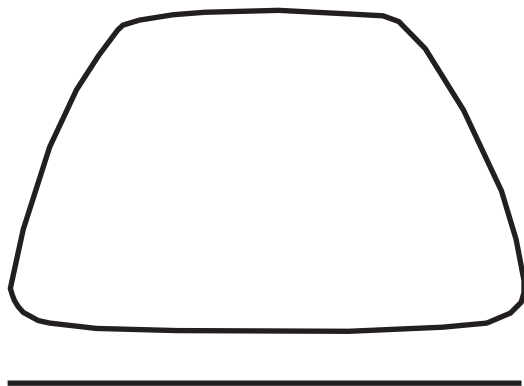
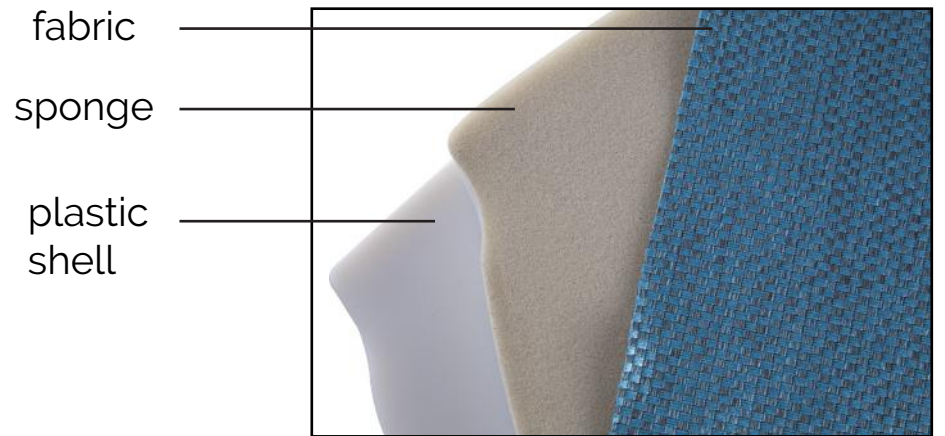
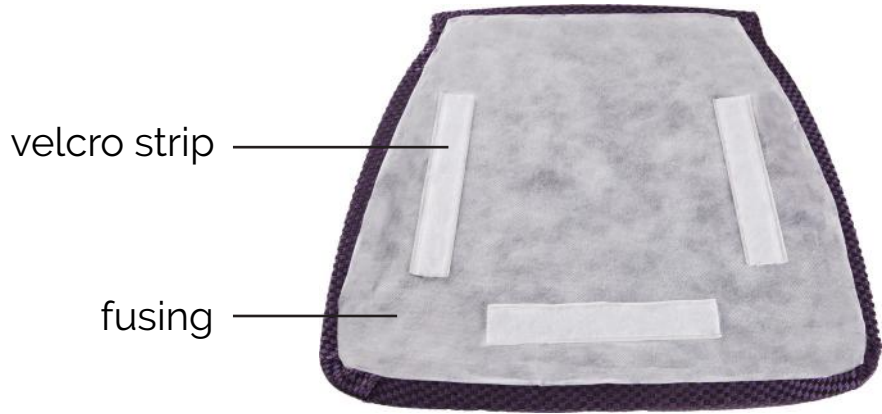
Closed back

pvc stopper

# Cushion Uno



Cushion UNO is useful for Tiffany and Napoleon. You will be able to choose 3 different fabric choices. It is easy to attach and remove with velcro strips.



39 cm

41 cm

- Plastic shell
- Fusing
- 3 cm 28-HD grey sponge
- Mounted to seat with velcro strip
- Fabric Options : Akron, waterproof and artificial leather



Side View



Front View



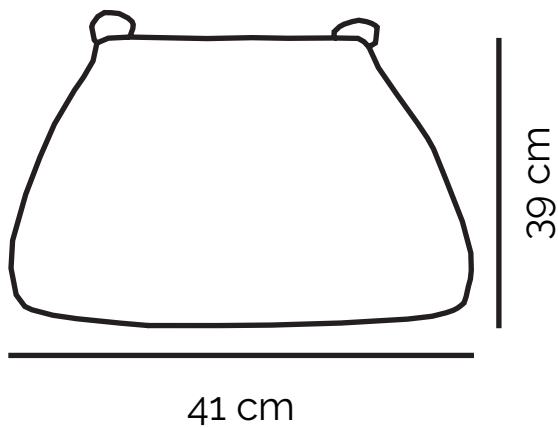
Rear View



# Cushion Due



Cushion DUE is useful for Tiffany and Napoleon. You will be able to choose 3 different fabric choices. It is easy to attach and remove with velcro strips. You may change the fabric by using zip.



- 3 cm 28-HD grey sponge
- Zipper
- Mounted to back with velcro strip
- Fabric Options : Akron, waterproof and artificial leather



Side View



Front View



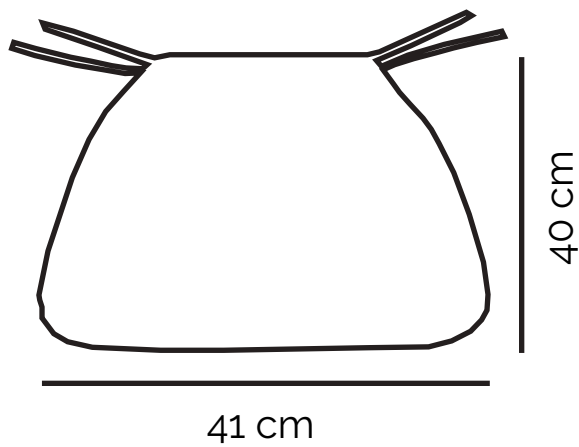
Rear View



# Cushion Tre



Cushion TRE is useful for Tiffany and Napoleon. You will be able to choose 3 different fabric choices. It is easy to attach and remove with ropes. You may change the fabric by using zip.



- 3 cm 28-HD grey sponge
- Zipper
- Mounted to back with ropes
- Fabric Options : Akron, waterproof and artificial leather



Side View



Front View



Rear View

## Akron Fabric Options (Indoor)



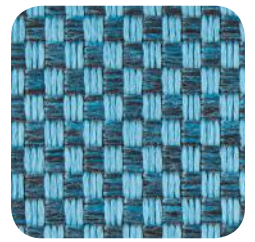
Akron  
59



Akron  
101



Akron  
55



Akron  
43



Akron  
01



Akron  
32



Akron  
10



Akron  
42



Akron  
28



Akron  
37



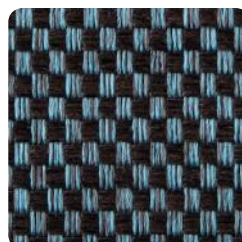
Akron  
05



Akron  
35



Akron  
34



Akron  
44



Akron  
36



Akron  
30

### **Akron Fabric** (indoor use)

70 % Olefin + 30 % Polyester

Test ISO 12945-2 (Pilling)

ISO 13936-2 (Seam Slippage)

ISO 12947-2 (Abrasion)

ISO 105x12 (Rubbing)



hand  
wash

# Waterproof Fabric Options (Outdoor)



WR  
01



WR  
02



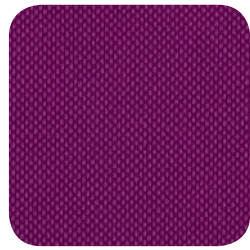
WR  
03



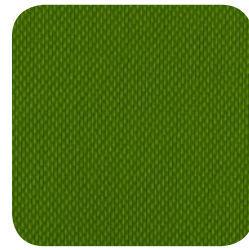
WR  
04



WR  
05



WR  
06



WR  
07



WR  
08



WR  
09



WR  
10



WR  
11



WR  
12

## Waterproof Fabric (outdoor use)

% 100 Polyester

PU waterproof layer

- It should be wiped gently and circular with a damp cloth



hand  
wash



## Artificial Leather Fabric Options (Outdoor)

### Plain



PU  
01



PU  
02



PU  
03



PU  
04

### Wicker



PU  
05



PU  
06

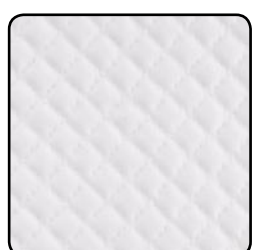


PU  
07



PU  
08

### Diamond



PU  
09



PU  
10



PU  
11



PU  
12

### Artificial Leather Fabric (outdoor use)

- Nature and human friendly products can be produced by without using toxic chemicals which harm human health.
- To remove oil stains; use a soapy cotton cloth and gently rub the stain with circular movements. After that use a clean, humid cloth to wipe off the area and dry the surface.
- To remove dust; use a vacuum cleaner or a soft brush.



hand  
wash



Savaş Plastik A.Ş.

Beysan Sanayi Sitesi Birlik Caddesi No:18  
34524 Beylikdüzü, İstanbul, Türkiye

T +90 212 422 3406 W [www.tilia.com.tr](http://www.tilia.com.tr)  
F +90 212 422 4625 E [info@tilia.com.tr](mailto:info@tilia.com.tr)  
FB /TiliaContract IN /tiliafurniture