



LASER

FAMILY

Chair | Armchair | Bar Chair | Office | Waiting Bench



Chair Laser Metal Leg 5



Armchair Laser Metal Leg 7



Chair Laser-V Wooden Leg 9



New Chair Laser-V1 Wooden Leg 11



Chair Laser-N Wooden Leg with Fabric 13



New Chair Laser Office Metal Leg 15



New Waiting Bench Laser X2 Metal Base 17



New Waiting Bench Laser X3 Metal Base 18



Bar Chair Laser Metal Leg 19



Bar Chair Laser-V Wooden Leg 21



Chair Laser-V Wooden Leg with Fabric 25



New Chair Laser-V1 Metal Leg with Fabric 27



Chair Laser-N Metal Leg with Fabric 29



New Chair Laser Office Metal Leg with Fabric 31



New Waiting Bench Laser X2 & Fabric Metal Base 33



New Waiting Bench Laser X3 & Fabric Metal Base 34



Bar Chair Laser-V Wooden Leg with Fabric 35

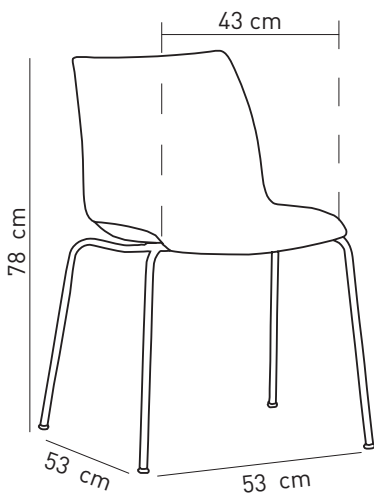
■ Chair Laser



Chair Laser

Metal Leg

Built on a metal base Chair Laser is a single curvy body made of polypropylene. Spacious and comfortable, the seat fits perfectly in kitchen and dining room. Also ideal in public and community spaces, from clubs to restaurants, to waiting rooms.



Crtn

Net : 4,30 kg

Gross : 5,20 kg



Loading Info

20' DC : 292 pcs

40' DC : 584 pcs

40' HC : 682 pcs

90 cbm truck : 720 pcs



Packaging Details

4 pcs

610X480X940h cm

0,28 cbm

This product has CATAS certificate.

Ivory White
101020896



Cream
101020132



Wood
101020204



Orange
?



Red
101020133



Wenge
101020135



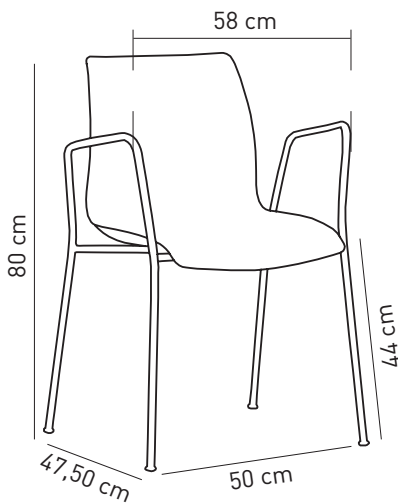
Black
101020134



Armchair **Laser**

Metal Leg

Armchair Laser conceived from the desire of creating a rational piece of furniture suitable to be placed even in the most characteristic spaces, respecting their style. Matte finished polypropylene shell and Ø14mm chrome tube frame. Cream, Ivory white, red, wenge and black colours available for shell.



Crtn

Net : 5,50 kg
Gross : 6,40 kg



Loading Info

20' DC : 292 pcs
40' DC : 584 pcs
40' HC : 682 pcs
90 cbm truck : 720 pcs



Packaging Details

4 pcs
610X480X940h cm
0,28 cbm

This product has CATAS certificate.

Ivory White
101010555



Cream
101010067



Wood
101010353



Orange
?



Red
101010068



Wenge
101010070



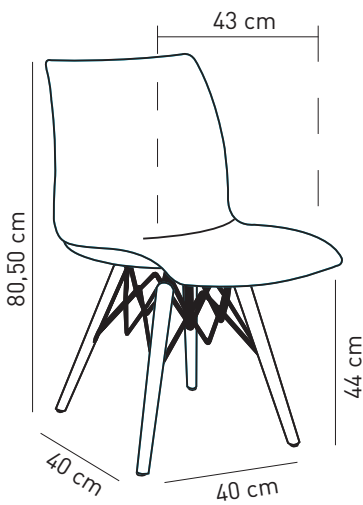
Black
101010069



Chair Laser-V

Wooden Leg

Chair Laser-V has gained a new look with its new metal frame crafted from beech. Its fame is well deserved, with strong and flexible polypropylene shell, it is perfectly contoured for maximum comfort. The profile is striking, combining bright colors with strong, wooden legs to create a look that is classic yet contemporary.



Crtn

Net : 4,50 kg
Gross : 5,20 kg



Loading Info

20' DC : 412 pcs
40' DC : 824 pcs
40' HC : 960 pcs
90 cbm truck : 1100 pcs



Packaging Details

4 pcs
610X480X940h cm
0,28 cbm

This product has CATAS certificate.

Ivory White
101020602



Cream
101020594



Grey
101020648



Orange
101020599



Red
101020595



Sax Blue
101020601



Wenge
0000



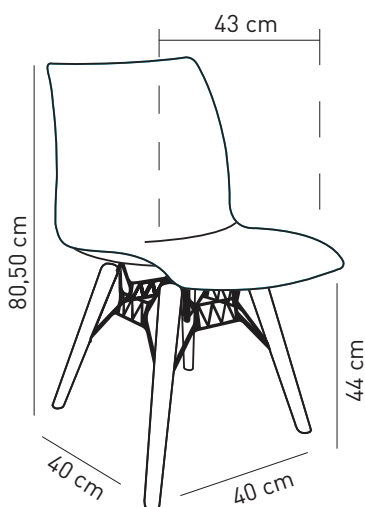
Black
101020596



Chair Laser-V1

Wooden Leg

Chair Laser-V1 has gained a new look with its new metal frame crafted from beech. Its fame is well deserved, with strong and flexible polypropylene shell, it is perfectly contoured for maximum comfort. The profile is striking, combining bright colors with strong, wooden legs to create a look that is classic yet contemporary.



Crtn

Net : 4,50 kg
Gross : 5,20 kg



Loading Info

20' DC : 412 pcs
40' DC : 824 pcs
40' HC : 960 pcs
90 cbm truck : 1100 pcs



Packaging Details

4 pcs
610X480X940h cm
0,28 cbm

This product has CATAS certificate.

Ivory White
0000



Cream
0000



Grey
0000



Orange
0000



Red
00000



Sax Blue
0000



Wenge
0000



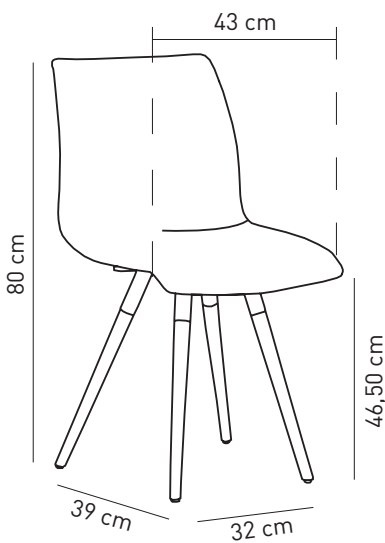
Black
0000



Chair Laser-N

Wooden Leg

Chair Laser-N has gained a new look with its new metal frame crafted from beech. Its fame is well deserved, with strong and flexible polypropylene shell, it is perfectly contoured for maximum comfort. The profile is striking, combining bright colors with strong, wooden legs to create a look that is classic yet contemporary.



Crtn

Net : 4,50 kg
Gross : 5,20 kg



Loading Info

20' DC : 412 pcs
40' DC : 824 pcs
40' HC : 960 pcs
90 cbm truck : 1100 pcs



Packaging Details

4 pcs
610X480X940h cm
0,28 cbm

This product has CATAS certificate.

Ivory White
101010511



Cream
101010512



Grey
101010513



Orange
101010516



Red
101010517



Sax Blue
101010514



Wenge
0000



Black
101010515

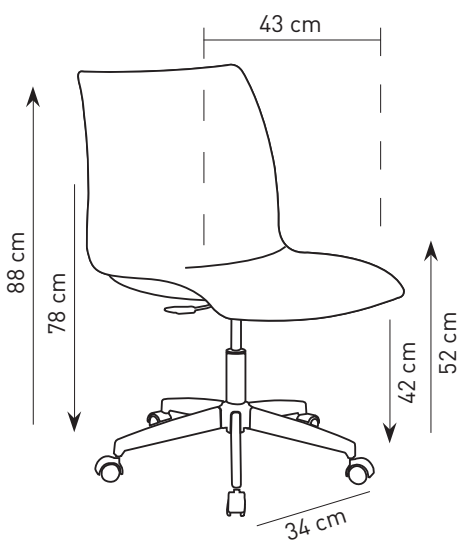


New

Chair Laser Office

Office Leg

Chair Laser Office has gained a new look with its new metal frame crafted from beech. Its fame is well deserved, with strong and flexible polypropylene shell, it is perfectly contoured for maximum comfort. The profile is striking, combining bright colors with strong, wooden legs to create a look that is classic yet contemporary.



Crtn

Net : 9,25 kg
Gross : 10,05 kg



Loading Info

20' DC : 412 pcs
40' DC : 824 pcs
40' HC : 960 pcs
90 cbm truck : 1100 pcs



Packaging Details

4 pcs
610X480X940h cm
0,28 cbm

This product has CATAS certificate.

Ivory White
104030043



Cream
104030024



Grey
104030044



Orange
104030022



Red
104030023



Sax Blue
104030025



Wenge
0000



Black
104030040



New

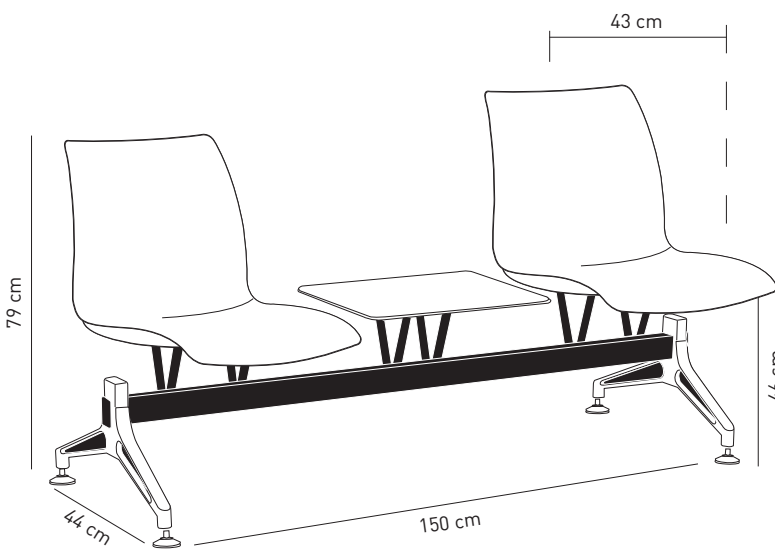
Chair Laser-X2

Waiting Bench - 2 Seated

Laser X2 chair recalls the distinctive features and design of the collection, taking inspiration from the classic and timeless objects. The absolute comfort of the shell upholstered in fabric is combined with metal chromed and matt painted frame which looks like spider legs. You may match Laser X2 in every part of your home, office, meeting room etc.



	Ivory White	101010363
	Cream	101010079
	Grey	101010825
	Red	101010080
	Sax Blue	101010826
	Orange	101010081
	Black	101010827



Crtn

Net : 9,25 kg
Gross : 10,05 kg



Loading Info

20' DC : 220 pcs
40' DC : 450 pcs
40' HC : 500 pcs
90 cbm truck : 600 pcs



Packaging Details

4 pcs
610X480X940h cm
0,28 cbm

This product has CATAS certificate.

New

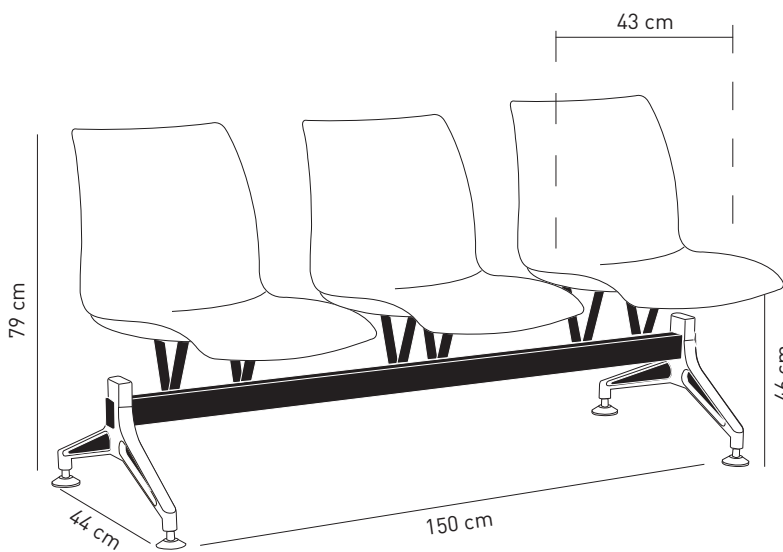
Chair Laser-X3

Waiting Bench - 3 Seated

Laser X3 chair recalls the distinctive features and design of the collection, taking inspiration from the classic and timeless objects. The absolute comfort of the shell upholstered in fabric is combined with metal chromed and matt painted frame which looks like spider legs. You may match Laser X3 in every part of your home, office, meeting room etc.



	Ivory White	101010099
	Cream	101010075
	Grey	101010860
	Red	101010076
	Sax Blue	101010523
	Orange	101010199
	Black	101010077



Crtn

Net : 9,25 kg
Gross : 10,05 kg



Loading Info

20' DC : 200 pcs
40' DC : 410 pcs
40' HC : 450 pcs
90 cbm truck : 550 pcs



Packaging Details

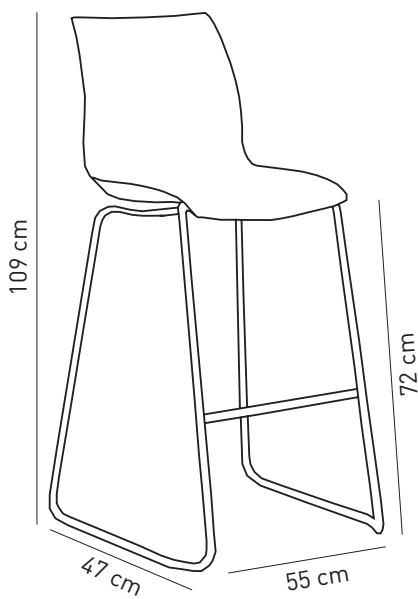
4 pcs
610X480X940h cm
0,28 cbm

This product has CATAS certificate.

Bar Chair Laser

Metal Leg

Bar Chair Laser, versatile with polypropylene shell available in 6 colours: ivory white, cream, red, wood, wenge and black. Stackable, matte finish shell and chrome frame. It is suitable for indoor / outdoor use.



Crtn

Net : 6,00 kg
Gross : 7,15 kg



Loading Info

20' DC : 240 pcs
40' DC : 480 pcs
40' HC : 560 pcs
90 cbm truck : 700 pcs



Packaging Details

4 pcs

This product has CATAS certificate.

Ivory White
101010571



Cream
101010575



Grey
101010572



Orange
101010576



Red
101010573



Sax Blue
101010577



Wenge
101010574



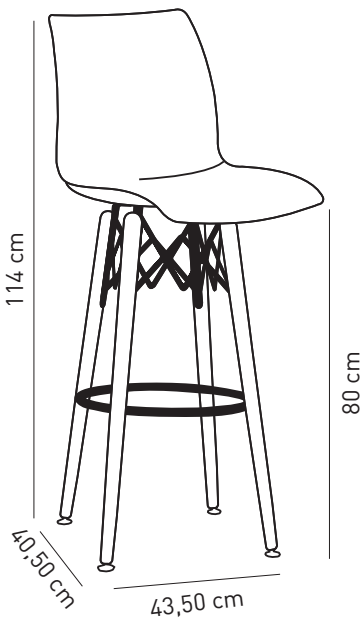
Black
101010578



Bar Chair **Laser-V**

Wooden Leg

Bar Chair Laser-V, versatile with polypropylene shell available in 5 colours: ivory white, cream, red, wenge and black. Stackable, matte finish shell and chrome frame. It is suitable for indoor use.



Crtn

Net : 6,10 kg

Gross : 7,25 kg



Loading Info

20' DC : 240 pcs

40' DC : 480 pcs

40' HC : 560 pcs

90 cbm truck : 660 pcs



Packaging Details

4 pcs

This product has CATAS certificate.

■ Bar Chair **Laser-V**



Ivory White
101020624



Cream
101020625



Wood
101020626



Orange
0000



Red
101020629



Sax Blue
0000



Wenge
101020627



Black
101020628



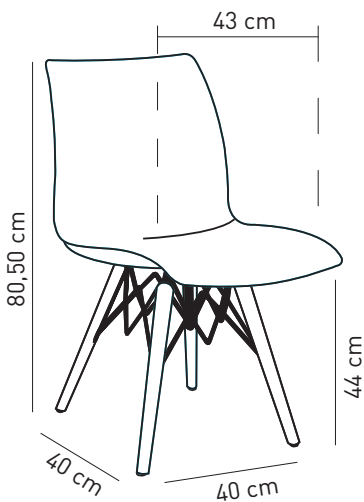
■ Chair Laser-V Pad



Chair Laser-V Pad

Wooden Leg with Fabric

Non-removable stuffing and fabric is applied on the shell to make the seat more comfortable. Colourful fabric and natural beech wood is a perfect match for Chair Laser-V. The chair is useful for indoors.



Crtn

Net : 5,15 kg
Gross : 5,85 kg



Loading Info

20' DC : 412 pcs
40' DC : 824 pcs
40' HC : 960 pcs
90 cbm truck : 1100 pcs



Packaging Details

4 pcs
610X480X940h cm
0,28 cbm

This product has CATAS certificate.

Colourbox 7700
101020900



Colourbox 7701
101020903



Colourbox 7801
101020954



Artclass 802
101020902



Artclass 805
101020904



Artclass 808
101020901



Artclass 903
101020955



Artnuvo 46904_V5
101020956



Artnuvo 46904_V6
101020957



Artbox 301
101020934



Vokato
101020958



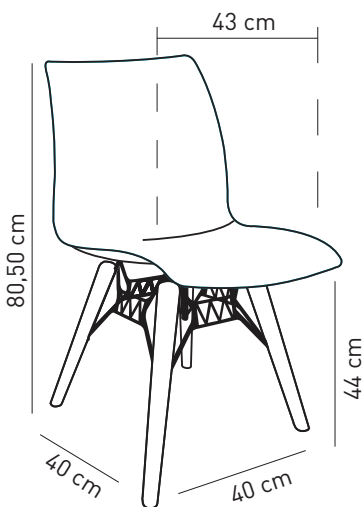
Patchwork
101020959



Chair Laser-V1 Pad

Wooden Leg with Fabric

Non-removable stuffing and fabric is applied on the shell to make the seat more comfortable. Colourful fabric and natural beech wood is a perfect match for Chair Laser-V. The chair is useful for indoors.



Crtn

Net : 5,15 kg

Gross : 5,85 kg



Loading Info

20' DC : 412 pcs

40' DC : 824 pcs

40' HC : 960 pcs

90 cbm truck : 1100 pcs



Packaging Details

4 pcs

610X480X940h cm

0,28 cbm

This product has CATAS certificate.

Colourbox 7700
0000



Colourbox 7701
0000



Colourbox 7801
0000



Artclass 802
0000



Artclass 805
0000



Artclass 808
0000



Artclass 903
0000



Artnuvo 46904_V5
0000



Artnuvo 46904_V6
0000



Artbox 301
0000



Vokato
0000



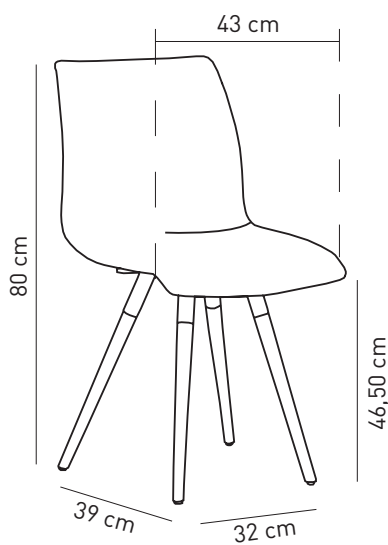
Patchwork
0000



Chair Laser-N Pad

Wooden Leg with Fabric

Non-removable stuffing and patchwork fabric is applied on the shell to make the seat more comfortable. Colourful fabric and natural beech wood is a perfect match for Chair Laser-N. The chair is useful for indoors.



Crtn

Net : 5,15 kg
Gross : 5,85 kg



Loading Info

20' DC : 412 pcs
40' DC : 824 pcs
40' HC : 960 pcs
90 cbm truck : 1100 pcs



Packaging Details

4 pcs
610X480X940h cm
0,28 cbm

This product has CATAS certificate.

Colourbox 7700
101020905



Colourbox 7701
101020910



Colourbox 7801
101020948



Artclass 802
101020907



Artclass 805
101020908



Artclass 808
101020906



Artclass 903
101020949



Artnuvo 46904_V5
101020950



Artnuvo 46904_V6
101020951



Artbox 301
101020909



Vokato
101020952



Patchwork
101020953

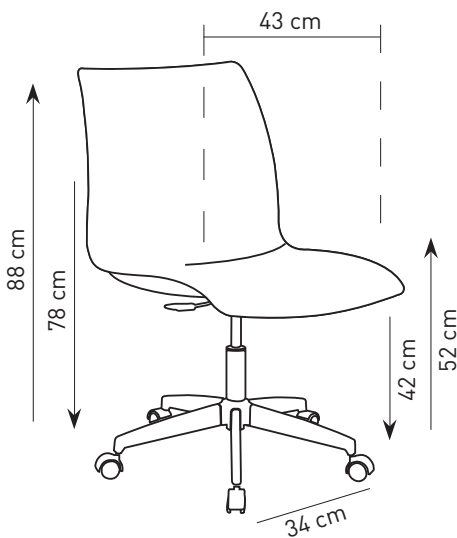


New

Chair Laser Office Pad

Office Leg with Fabric

Chair Laser Office has gained a new look with its new metal frame crafted from beech. Its fame is well deserved, with strong and flexible polypropylene shell, it is perfectly contoured for maximum comfort. The profile is striking, combining bright colors with strong, wooden legs to create a look that is classic yet contemporary.



Crtn

Net : 9,75 kg
Gross : 10,85 kg



Loading Info

20' DC : 412 pcs
40' DC : 824 pcs
40' HC : 960 pcs
90 cbm truck : 1100 pcs



Packaging Details

4 pcs
610X480X940h cm
0,28 cbm

This product has CATAS certificate.

Colourbox 7700
101020905



Colourbox 7701
101020910



Colourbox 7801
101020948



Artclass 802
101020907



Artclass 805
101020908



Artclass 808
101020906



Artclass 903
101020949



Artnuvo 46904_V5
101020950



Artnuvo 46904_V6
101020951



Artbox 301
101020909



Vokato
101020952



Patchwork
101020953



New

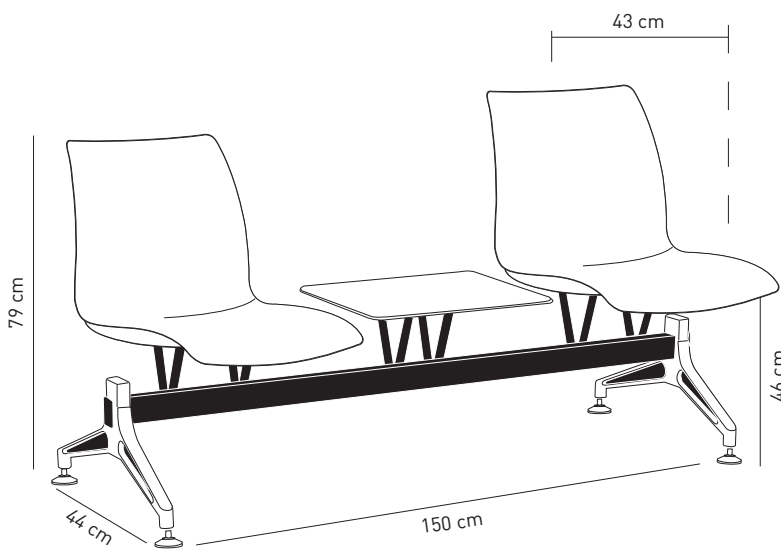
Chair Laser-X2

Waiting Bench - 2 Seated with Fabric

Laser X2 chair recalls the distinctive features and design of the collection, taking inspiration from the classic and timeless objects. The absolute comfort of the shell upholstered in fabric is combined with metal chromed and matt painted frame which looks like spider legs. You may match Laser X2 in every part of your home, office, meeting room etc.



Colourbox 7801	101010828	Artclass 802	101010834
Colourbox 7701	101010829	Artnuvo 46904-V5	101010835
Colourbox 7700	101010830	Artnuvo 46904-V6	101010836
Artclass 903	101010831	Artbox 301	101010837
Artclass 808	101010832	Vokato	101010838
Artclass 805	101010833	Patchwork	101010839



Crtn

Net : 9,75 kg
Gross : 10,85 kg



Loading Info

20' DC : 220 pcs
40' DC : 450 pcs
40' HC : 500 pcs
90 cbm truck : 600 pcs



Packaging Details

4 pcs
610X480X940h cm
0,28 cbm

This product has CATAS certificate.

New

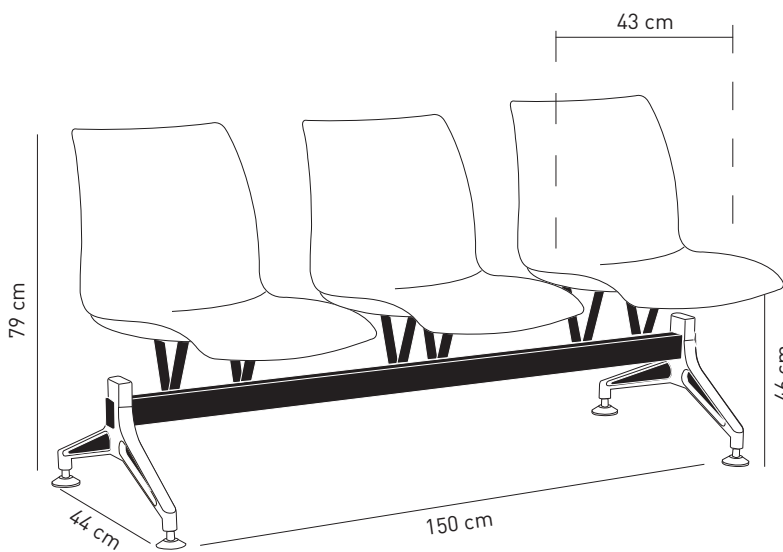
Chair Laser-X3

Waiting Bench - 3 Seated with Fabric

Laser X3 chair recalls the distinctive features and design of the collection, taking inspiration from the classic and timeless objects. The absolute comfort of the shell upholstered in fabric is combined with metal chromed and matt painted frame which looks like spider legs. You may match Laser X3 in every part of your home, office, meeting room etc.



Colourbox 7801	101010861	Artclass 802	101010867
Colourbox 7701	101010862	Artnuvo 46904-V5	101010868
Colourbox 7700	101010863	Artnuvo 46904-V6	101010869
Artclass 903	101010864	Artbox 301	101010870
Artclass 808	101010865	Vokato	101010871
Artclass 805	101010866	Patchwork	101010872



Crtn

Net : 9,75 kg
Gross : 10,85 kg



Loading Info

20' DC : 200 pcs
40' DC : 410 pcs
40' HC : 450 pcs
90 cbm truck : 550 pcs



Packaging Details

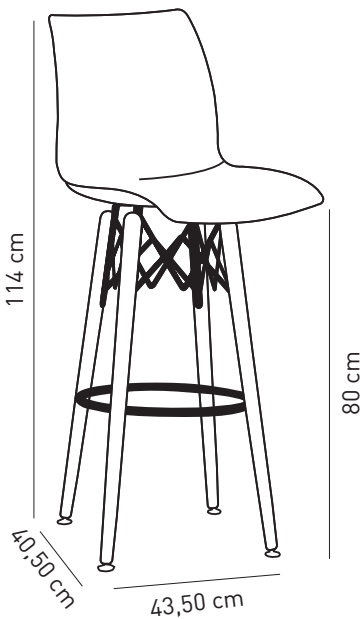
4 pcs
610X480X940h cm
0,28 cbm

This product has CATAS certificate.

Bar Chair Laser-V Pad

Wooden Leg with Fabric

Non-removable stuffing and fabric is applied on the shell to make the seat more comfortable. Colourful fabric and natural beech wood is a perfect match for Bar Chair Laser-V. The chair is useful for indoors.



Crtn

Net : 6,70 kg

Gross : 7,80 kg



Loading Info

20' DC : 240 pcs

40' DC : 480 pcs

40' HC : 560 pcs

90 cbm truck : 660 pcs



Packaging Details

4 pcs

This product has CATAS certificate.

Colourbox 7700
101020911



Colourbox 7701
101020916



Colourbox 7801
101020942



Artclass 802
101020913



Artclass 805
101020914



Artclass 808
101020912



Artclass 903
101020943



Artnuvo 46904_V5
101020944



Artnuvo 46904_V6
101020945



Artbox 301
101020915



Vokato
101020946



Patchwork
101020947



■ Bar Chair **Laser-V Pad**



Savaş Plastik A.Ş.

Beysan Sanayi Sitesi Birlik Caddesi No:18
34524 Beylikdüzü, İstanbul, Türkiye



+90 850 346 65 65



+90 212 422 34 06



+90 212 422 46 25



www.tilia.com.tr



[/tiliafurniture](https://www.instagram.com/tiliafurniture)



[/TiliaFurniture](https://plus.google.com/+TiliaFurniture)



info@tilia.com.tr



[/tiliaContract](https://www.facebook.com/tiliaContract)



[/TiliaFurniture](https://www.pinterest.com/TiliaFurniture)



www.tilia.com.tr



Indoor 2019



Outdoor 2019