



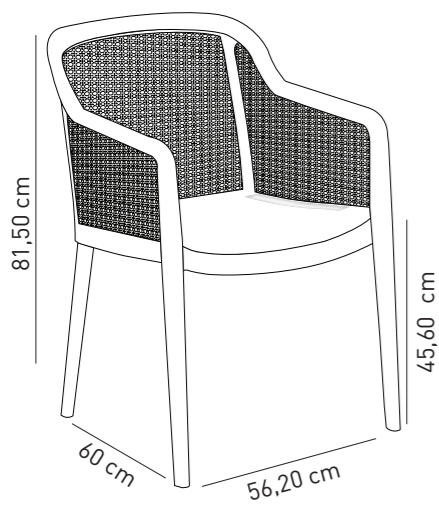
**Octa**




Armchair



# Armchair Octa

Immediately giving off a sense of comfort, the soft rounded lines of this single-piece armchair are undoubtedly its most distinctive characteristics. The Octa is an injection-molded armchair made of polypropylene and is reinforced with glass fibers. It is also lighter because of the woven texture on the back, which is another unique feature of this armchair, further emphasizing the attention to detail. Octa armchair is useful for both indoor & outdoor. Its available in mainly 12 different colours.



Crtn	Stack
 Net : 4,75 kg Gross : 5,95 kg	Net : 4,75 kg Gross : 5,07 kg
Loading Info	Loading Info
 20' DC : 244 pcs 40' DC : 488 pcs 40' HC : 568 pcs 90 cbm truck : 652 pcs	20' DC : 440 pcs 40' DC : 920 pcs 40' HC : 920 pcs 90 cbm truck : 1040 pcs
Packaging Details	Packaging Details
 4 pcs / crtn	20 pcs / crtn

This product has CATAS certificate.



## Savaş Plastik A.Ş.

Beysan Sanayi Sitesi Birlik Caddesi No:18  
34524 Beylikdüzü, İstanbul, Türkiye

+90 850 346 65 65

www.tiliafurniture.com

info@tilia.com.tr

+90 212 422 34 06

/tiliafurniture

/tiliaContract

+90 212422 46 25

/TiliaFurniture

/TiliaFurniture



Website



Indoor 2020



Outdoor 2020