



MOON

TABLE | BAR TABLE | COFFEE TABLE
TABLE BASE

Table Family **Moon**

Moon table family has an elegant silhouette and minimal design. The shape of the round column, which transforms into three heights, such as table, bar and coffee table base, expresses continuity and attention to detail. The column in extruded aluminium splits open to form four cross feet in resin. Moon table is also offered with a folding resin top so that it can be stored away with very little space. Suitable also for both indoor and outdoor.



SPECIALLY DESIGNED FOR OUTDOOR USE

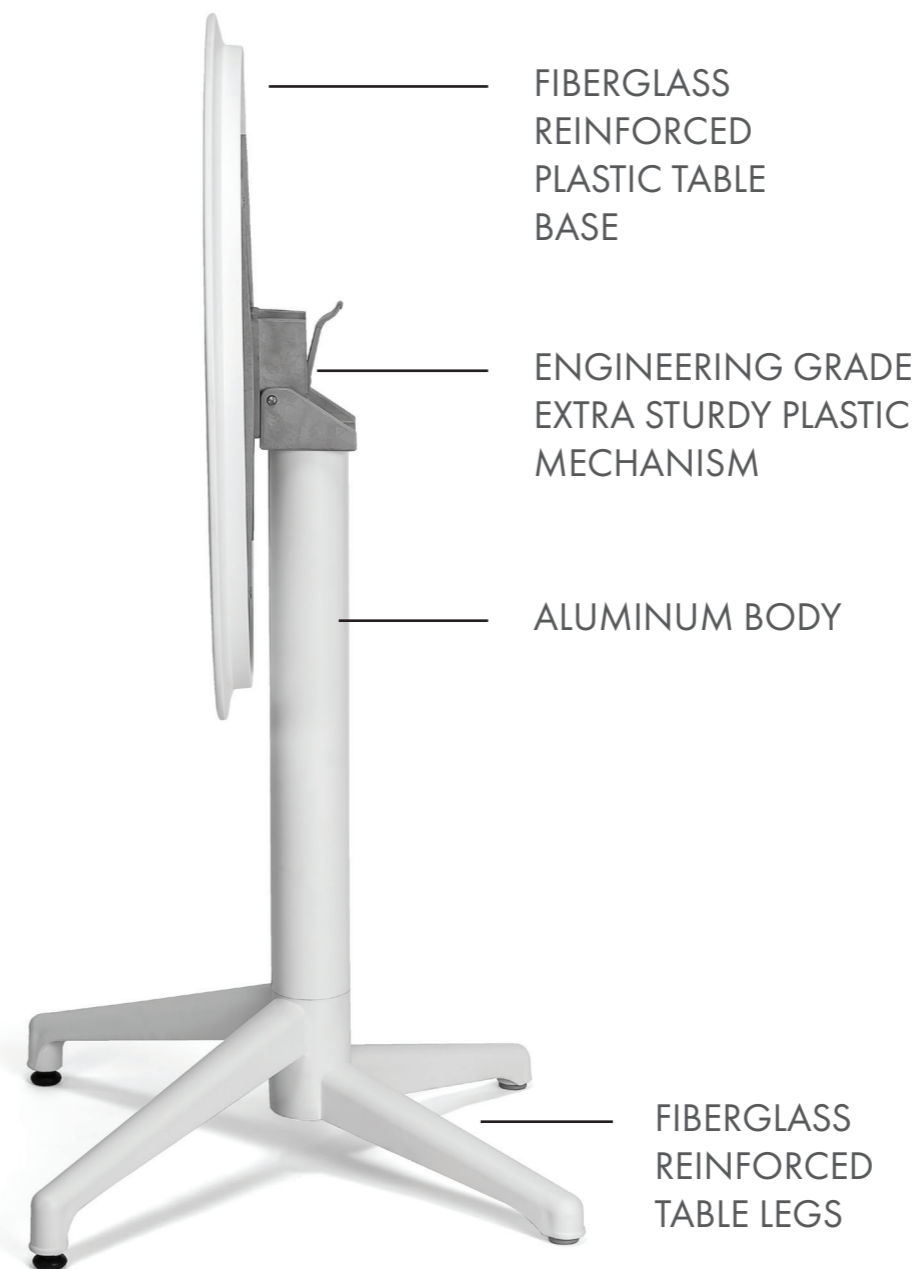
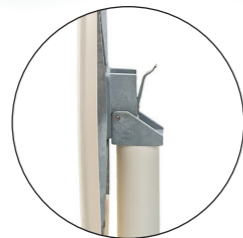


Table **Moon** Ø60 cm

Coffee Table
fixed only



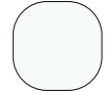
Table
fixed or foldable



Bar Table
fixed or foldable



Coffee Table **Moon**
Ø60 cm fixed only

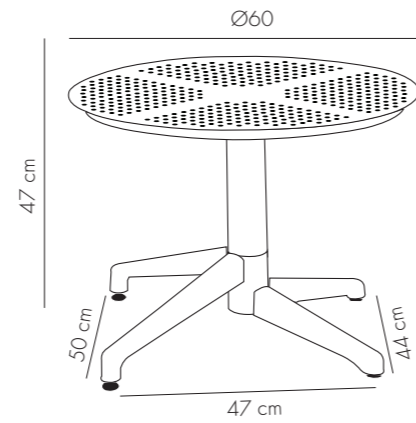
| | |  Ivory White |  Cream |  Coffee |  Black |
|---|----------|---|---|--|---|
| | fixed | 101020958 | 101020959 | 101020961 | 101020962 |
| Table Moon Ø60 cm fixed or foldable | | | | | |
| | fixed | 101020938 | 101020939 | 101020941 | 101020942 |
| | foldable | 101020943 | 101020944 | 101020946 | 101020947 |
| Bar Table Moon Ø60 cm fixed or foldable | | | | | |
| | fixed | 101020948 | 101020949 | 101020951 | 101020952 |
| | foldable | 101020953 | 101020954 | 101020956 | 101020957 |

This product has CATAS certificate.

Table **Moon** Ø60 cm



Coffee Table fixed only

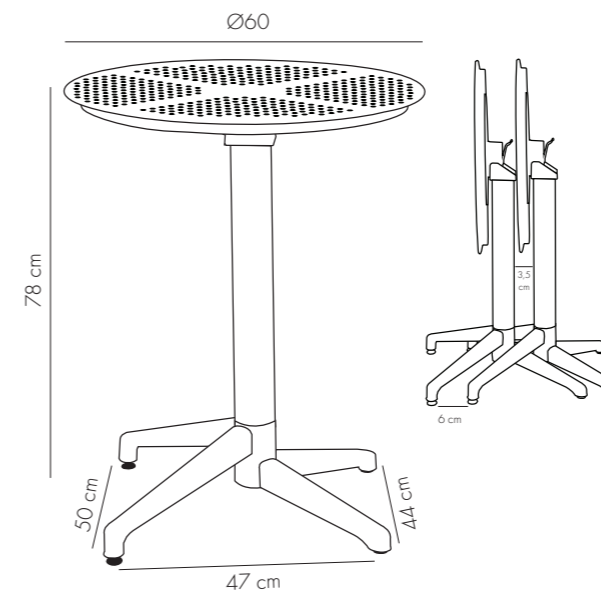


Crtn
Net : 4,45 kg
Gross : 5,75 kg

Loading Info
20' DC : 320 pcs
40' DC : 640 pcs
40' HC : 760 pcs
90 cbm truck : 900 pcs

Packaging Details
1 pc / crtn
68x64x20 cm
0,091 cbm

Table fixed or foldable



Fixed (Crtn)
Net : 9,40 kg
Gross : 10,70 kg

Loading Info
20' DC : 320 pcs
40' DC : 640 pcs
40' HC : 760 pcs
90 cbm truck : 900 pcs

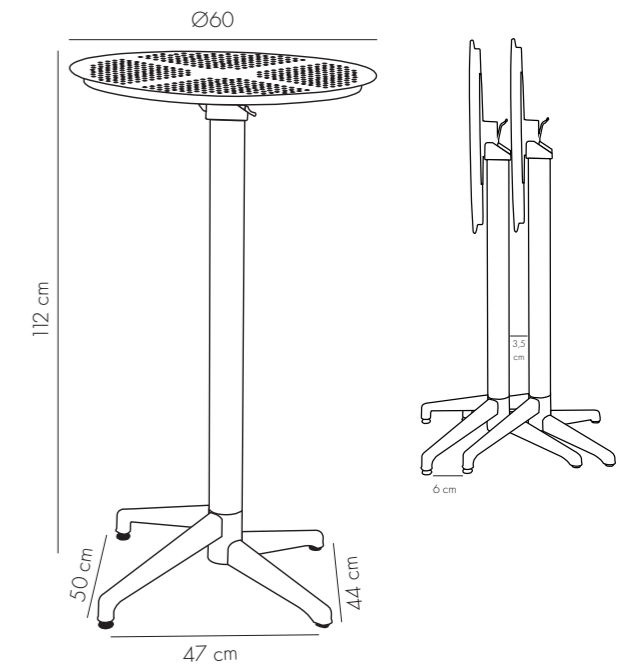
Packaging Details
1 pc / crtn
68x64x20 cm
0,091 cbm

Foldable (Crtn)
Net : 9,75 kg
Gross : 11,05 kg

Loading Info
20' DC : 320 pcs
40' DC : 640 pcs
40' HC : 760 pcs
90 cbm truck : 900 pcs

Packaging Details
1 pc / crtn
68x64x20 cm
0,091 cbm

Bar Table fixed or foldable



Fixed (Crtn)
Net : 10,00 kg
Gross : 11,60 kg

Loading Info
20' DC : 300 pcs
40' DC : 600 pcs
40' HC : 700 pcs
90 cbm truck : 850 pcs

Packaging Details
2 pcs set
67x65x21 cm base
9x9x106 cm column
0,1 cbm

Foldable (Crtn)
Net : 10,40 kg
Gross : 11,95 kg

Loading Info
20' DC : 300 pcs
40' DC : 600 pcs
40' HC : 700 pcs
90 cbm truck : 850 pcs

Packaging Details
2 pcs set
67x65x21 cm base
9x9x106 cm column
0,1 cbm

Table **Moon-S** Ø70 cm

Table
fixed or foldable



Bar Table
fixed or foldable



Table **Moon-S**
Ø70 cm fixed or foldable



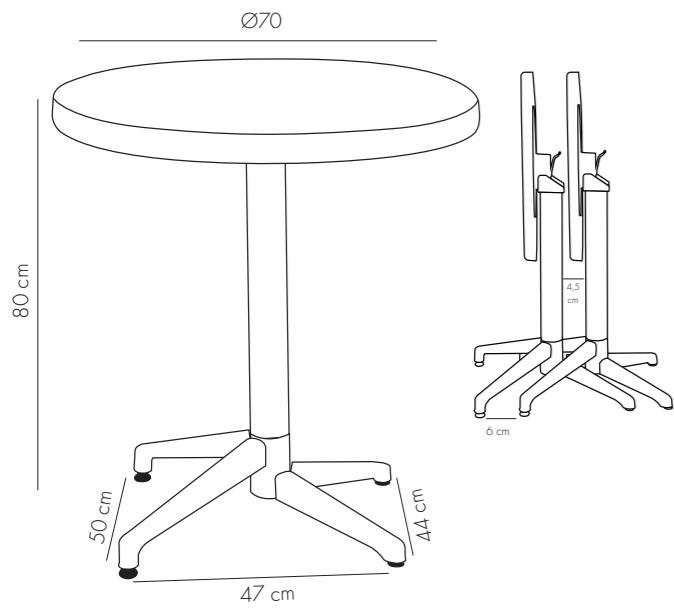
| | Ivory White | Cream | Coffee | Black |
|----------|-------------|-----------|-----------|-----------|
| fixed | 101030307 | 101030309 | 101030317 | 101030314 |
| foldable | 101030319 | 101030321 | 101030330 | 101030327 |

Bar Table **Moon-S**
Ø70 cm fixed or foldable

| | | | | |
|----------|-----------|-----------|-----------|-----------|
| fixed | 101030331 | 101030333 | 101030342 | 101030339 |
| foldable | 101030343 | 101030345 | 101030354 | 101030350 |

This product has CATAS certificate.

Table
fixed or foldable



Fixed (Crtn)
Net : 8,95 kg
Gross : 10,00 kg

Foldable (Crtn)
Net : 9,45 kg
Gross : 10,60 kg



Loading Info
20' DC : 320 pcs
40' DC : 640 pcs
40' HC : 760 pcs
90 cbm truck : 900 pcs

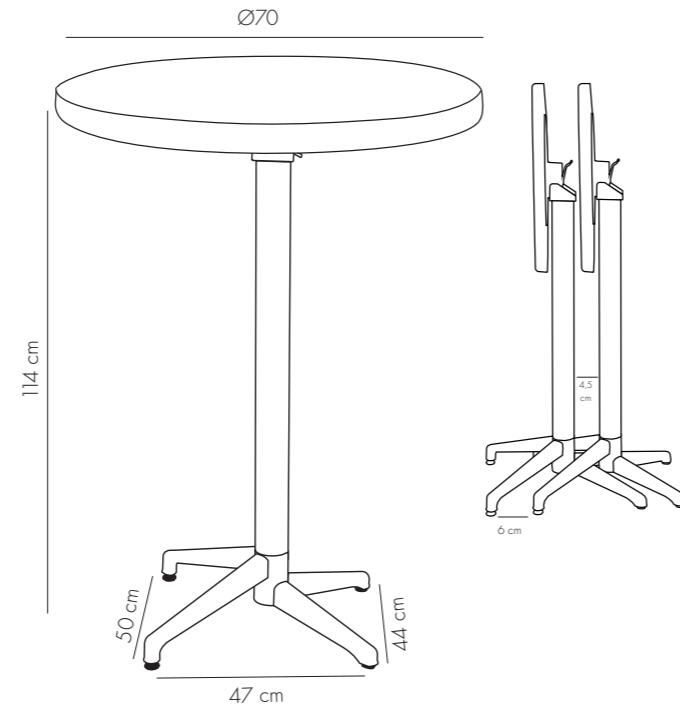
Loading Info
20' DC : 320 pcs
40' DC : 640 pcs
40' HC : 760 pcs
90 cbm truck : 900 pcs



Packaging Details
1 pc / crtn
67x65x21 cm
0,091 cbm

Packaging Details
1 pc / crtn
67x65x21 cm
0,091 cbm

Bar Table
fixed or foldable



Fixed (Crtn)
Net : 9,50 kg
Gross : 10,50 kg

Foldable (Crtn)
Net : 10,00 kg
Gross : 11,25 kg



Loading Info
20' DC : 300 pcs
40' DC : 600 pcs
40' HC : 700 pcs
90 cbm truck : 850 pcs

Loading Info
20' DC : 300 pcs
40' DC : 600 pcs
40' HC : 700 pcs
90 cbm truck : 850 pcs



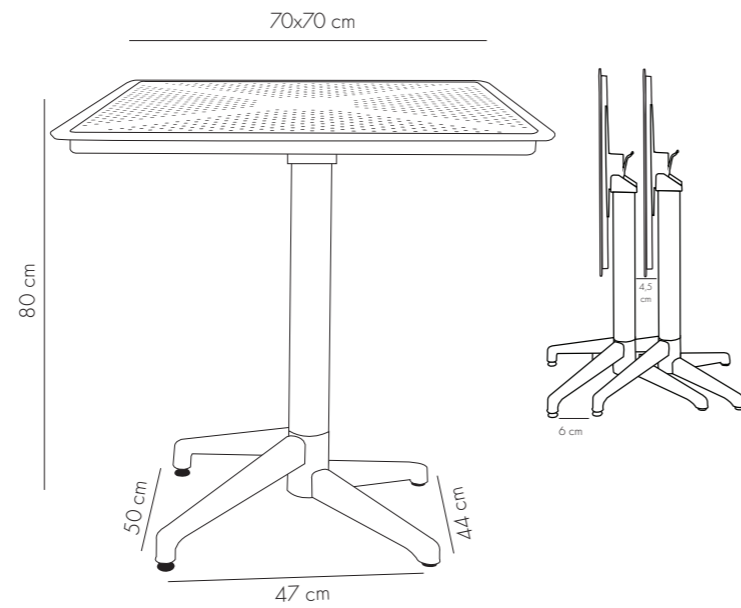
Packaging Details
2 pcs set
67x65x21 cm
9x9x106 cm
0,1 cbm

Packaging Details
2 pcs set
67x65x21 cm
9x9x106 cm
0,1 cbm



Table **Moon** 70x70 cm

fixed or foldable



Fixed (Crtn)
 Net : 9,25 kg
 Gross : 10,50 kg

Foldable (Crtn)
 Net : 9,65 kg
 Gross : 10,90 kg



Loading Info
 20' DC : 250 pcs
 40' DC : 500 pcs
 40' HC : 580 pcs
 90 cbm truck : 750 pcs

Loading Info
 20' DC : 250 pcs
 40' DC : 500 pcs
 40' HC : 580 pcs
 90 cbm truck : 750 pcs

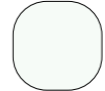
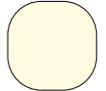
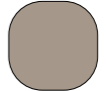



Packaging Details
 1 pc / crtn
 72x75x22 cm
 0,12 cbm

Packaging Details
 1 pc / crtn
 72x75x22 cm
 0,12 cbm



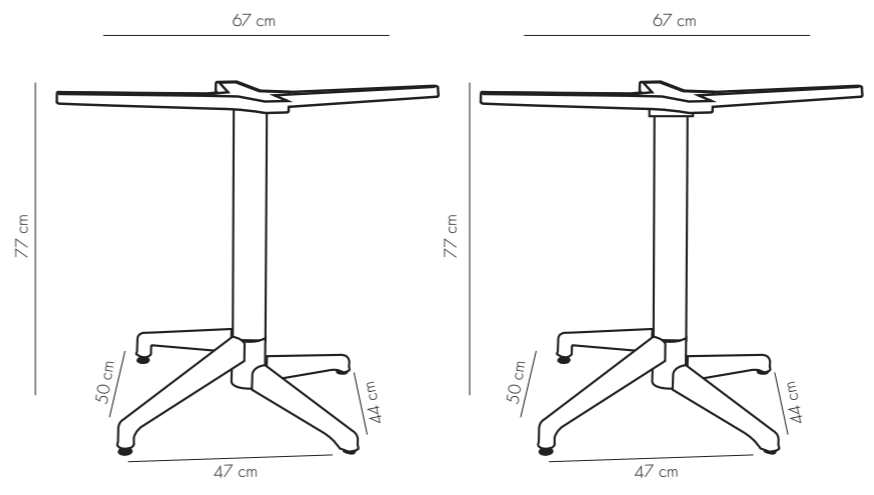
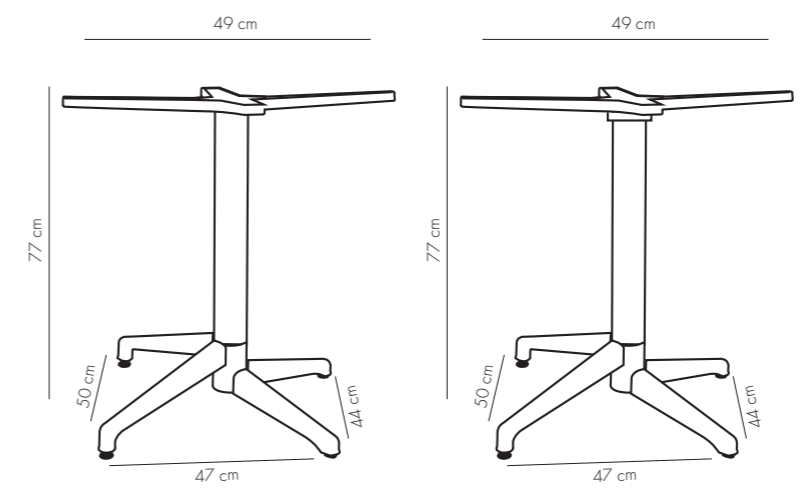
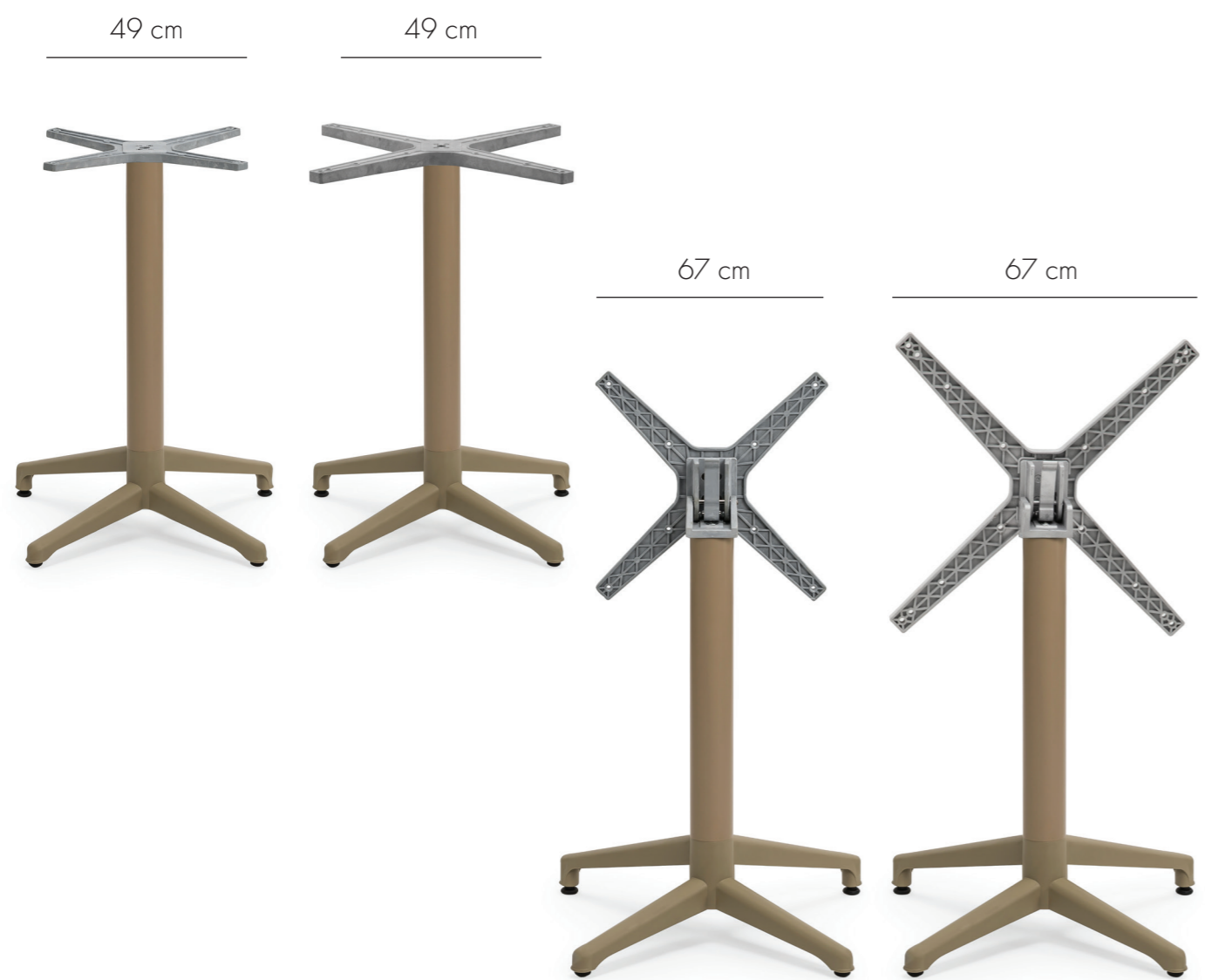
Table **Moon**
 70x70 cm fixed or foldable

| |  Ivory White |  Cream |  Coffee |  Black |
|----------|---|---|--|---|
| fixed | 101030381 | 101030383 | 101030382 | 101030385 |
| foldable | 101030366 | 101030377 | 101030358 | 101030327 |

This product has CATAS certificate.

Table Base **Moon**

Base
fixed or foldable



Base

| Fixed (Crtn) | Foldable (Crtn) |
|-----------------|-----------------|
| Net : 7,30 kg | Net : 7,75 kg |
| Gross : 8,30 kg | Gross : 8,75 kg |

| Loading Info | Loading Info |
|---------------------|---------------------|
| 20' DC : 500 | 20' DC : 425 |
| 40' DC : 1000 | 40' DC : 850 |
| 40' HC : 1100 | 40' HC : 1000 |
| 90 cbm truck : 1400 | 90 cbm truck : 1200 |

| Packaging Details | Packaging Details |
|-------------------|-------------------|
| 1 pc / crtn | 1 pc / crtn |
| 52x52x23 cm | 52x52x23 cm |
| 0,062 cbm | 0,062 cbm |

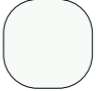
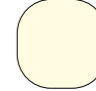
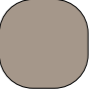

Base

| Fixed (Crtn) | Foldable (Crtn) |
|-----------------|-----------------|
| Net : 7,30 kg | Net : 7,75 kg |
| Gross : 8,30 kg | Gross : 8,75 kg |

| Loading Info | Loading Info |
|---------------------|---------------------|
| 20' DC : 500 | 20' DC : 425 |
| 40' DC : 1000 | 40' DC : 850 |
| 40' HC : 1100 | 40' HC : 1000 |
| 90 cbm truck : 1400 | 90 cbm truck : 1200 |

| Packaging Details | Packaging Details |
|-------------------|-------------------|
| 1 pc / crtn | 1 pc / crtn |
| 52x52x23 cm | 52x52x23 cm |
| 0,062 cbm | 0,062 cbm |

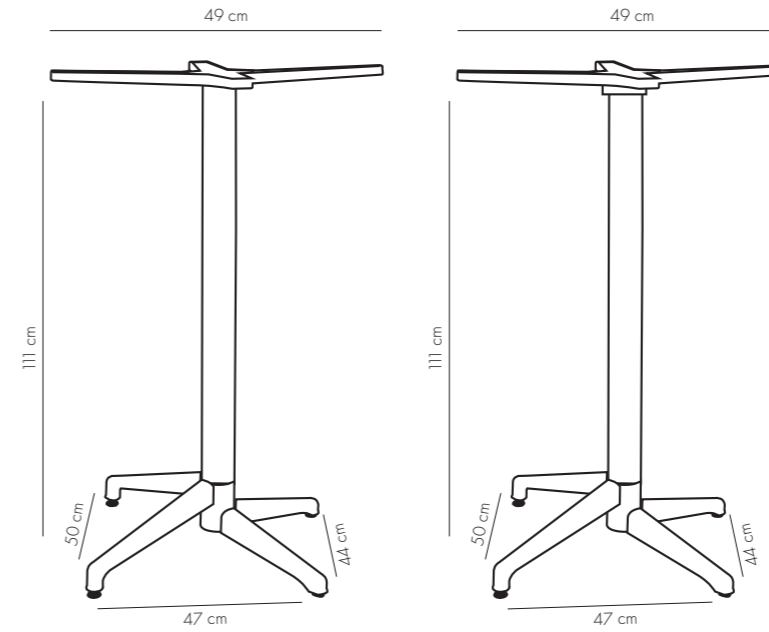
Table **Moon Base** fixed or foldable

| |  Ivory White |  Cream |  Coffee |  Black |
|----------------|---|---|--|---|
| fixed 49 cm | 203060135 | 203060136 | 203060137 | 203060139 |
| foldable 49 cm | 203060146 | 203060145 | 203060144 | 203060143 |
| fixed 67 cm | 202010070 | 202010071 | 202010073 | 202010072 |
| foldable 67 cm | 202010074 | 202010075 | 202010077 | 202010076 |


This product has CATAS certificate.


Table Base **Moon**


Bar Base
fixed or foldable



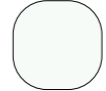
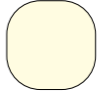
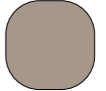

Bar Base

| | Fixed (Crtn) | Foldable (Crtn) |
|--|----------------------------------|----------------------------------|
|  Kg | Net : 6,75 kg Gross : 7,50 kg | Net : 7,20 kg Gross : 8,00 kg |

| | Loading Info | Loading Info |
|---|--|--|
|  | 20' DC : 300 pcs 40' DC : 600 pcs 40' HC : 700 pcs 90 cbm truck : 850 pcs | 20' DC : 300 pcs 40' DC : 600 pcs 40' HC : 700 pcs 90 cbm truck : 850 pcs |

| | Packaging Details | Packaging Details |
|---|--|--|
|  | 1 pc / crtn 106x9x9 cm 0,008 cbm | 1 pc / crtn 106x9x9 cm 0,008 cbm |

Bar Table **Moon Base** fixed or foldable

| |  Ivory White |  Cream |  Coffee |  Black |
|----------|---|---|--|---|
| fixed | 203060150 | 203060148 | 203060147 | 203060152 |
| foldable | 203060157 | 203060158 | 203060156 | 203060155 |

This product has CATAS certificate.

Savaş Plastik A.Ş.

Beysan Sanayi Sitesi Birlik Caddesi No:18
34524 Beylikdüzü, İstanbul, Türkiye



+90 850 346 65 65



+90 212 422 34 06



+90 212 422 46 25



www.tilia.com.tr



[/tiliafurniture](https://www.instagram.com/tiliafurniture)



[/TiliaFurniture](https://plus.google.com/+TiliaFurniture)



info@tilia.com.tr



[/tiliaContract](https://www.facebook.com/tiliaContract)



[/TiliaFurniture](https://www.pinterest.com/TiliaFurniture)



www.tilia.com.tr



Indoor 2019



Outdoor 2019