



MOON

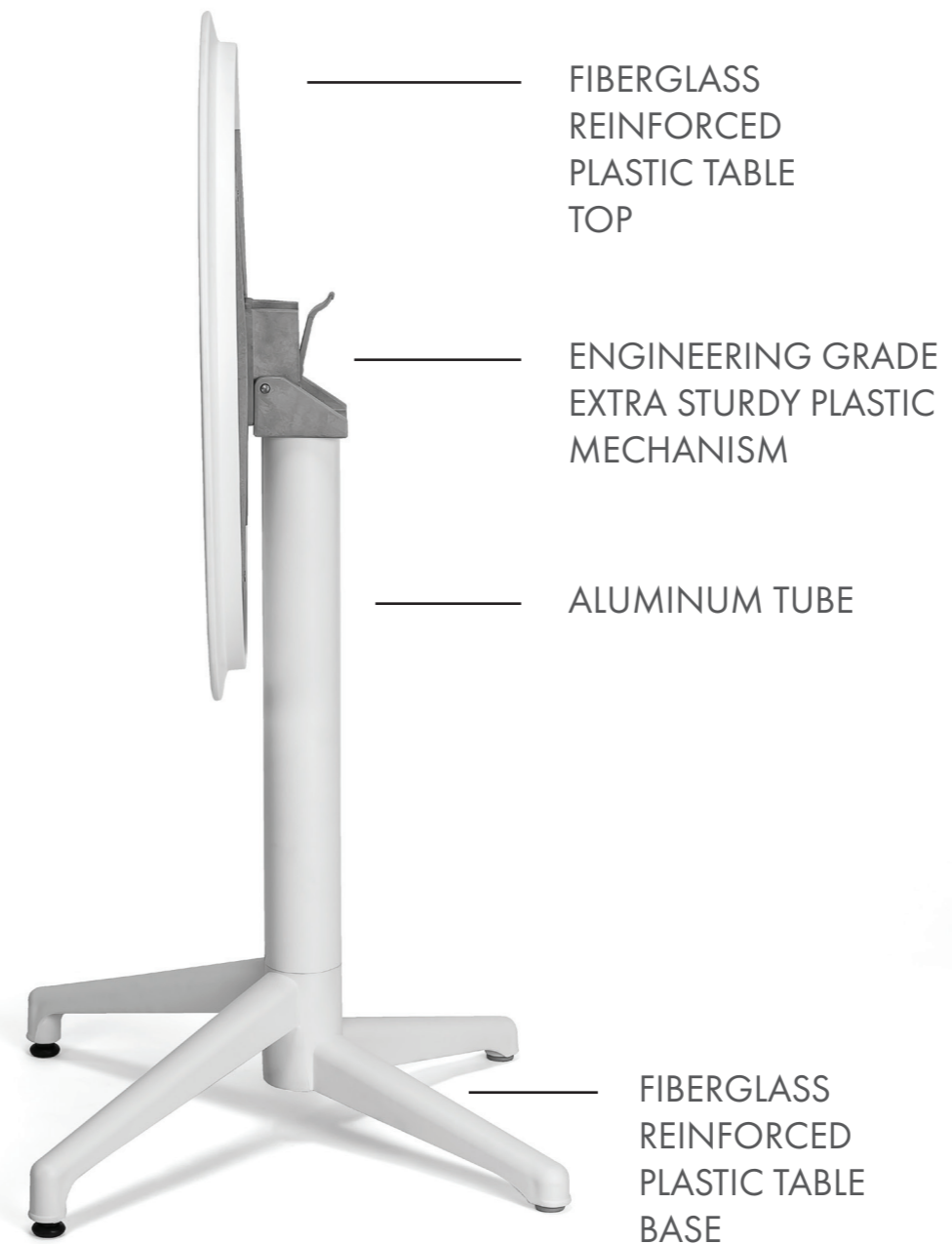
TABLE | BAR TABLE
COFFEE TABLE | TABLE BASE

Table Family **Moon**

Moon table base family has an elegant silhouette and minimal design. The shape of the round column, which transforms into three heights, such as table, bar and coffee table base, expresses continuity and attention to detail. The column in extruded aluminium splits open to form four cross feet in resin. Moon table base is also offered with a folding resin top so that it can be stored away with very little space. Suitable also for both indoor and outdoor.



SPECIALLY DESIGNED FOR OUTDOOR USE



NEW

Table **Moon-C**
with HPL table top

Round Table

Ø60 / Ø70 / Ø77 cm.
fixed or foldable



Square Table

60x60 / 69x69 / 77x77 cm.
fixed or foldable



This product has CATAS certificate.



Table **Moon-C** Round



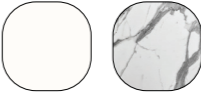

Base & Top		 Ivory White & White Marble		 Black & Black Marble	
		Ø60 cm.	fixed	101013277	101013278
foldable	101013276		101013275		
Ø70 cm.	fixed	101013280	101013279		
	foldable	101013281	101013282		
Ø77 cm.	fixed	101013285	101013286		
	foldable	101013284	101013283		



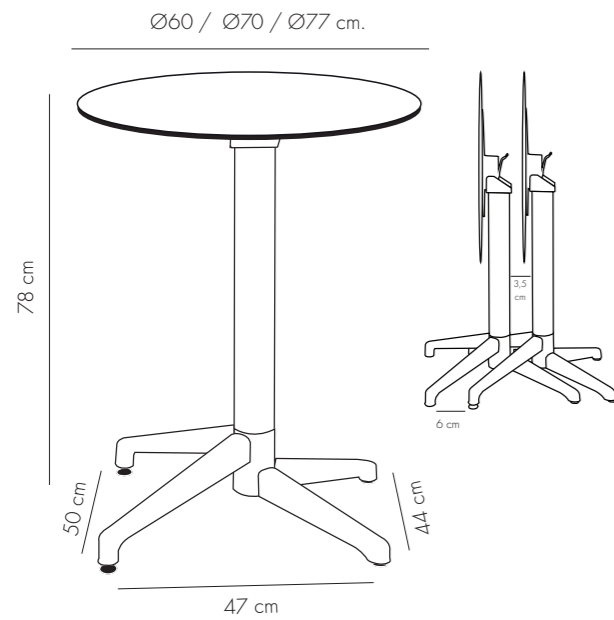
Table **Moon-C** Square

Base & Top		 Ivory White & White Marble		 Black & Black Marble	
		60x60 cm.	fixed	101013296	101013295
foldable	101013297		101013298		
69x69 cm.	fixed	101013293	101013294		
	foldable	101013292	101013291		
77x77 cm.	fixed	101013288	101013287		
	foldable	101013289	101013290		




NEW

Table **Moon-C** Round Table




Ø60 / Ø70 / Ø77 cm.
fixed or foldable






Ø60 cm.

	Fixed (Crtn)	Foldable (Crtn)
 Net	11,3 kg	11,7 kg
Gross	12,3 kg	12,7 kg
 Loading Info	20' DC : 320 pcs 40' DC : 640 pcs 40' HC : 760 pcs 90 cbm truck : 900 pcs	20' DC : 320 pcs 40' DC : 640 pcs 40' HC : 760 pcs 90 cbm truck : 900 pcs
 Packaging Details	1 pc / crtn 68x64x20 cm 0,091 cbm	1 pc / crtn 68x64x20 cm 0,091 cbm

Ø70 cm.

	Fixed (Crtn)	Foldable (Crtn)
 Net	12,3 kg	12,7 kg
Gross	13,3 kg	13,7 kg
 Loading Info	20' DC : 320 pcs 40' DC : 640 pcs 40' HC : 760 pcs 90 cbm truck : 900 pcs	20' DC : 320 pcs 40' DC : 640 pcs 40' HC : 760 pcs 90 cbm truck : 900 pcs
 Packaging Details	1 pc / crtn 67x65x21 cm 0,091 cbm	1 pc / crtn 67x65x21 cm 0,091 cbm

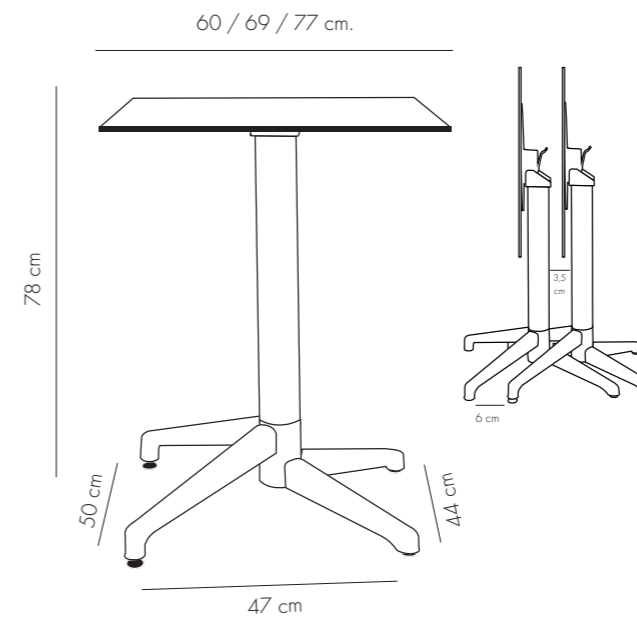
Ø77 cm.

	Fixed (Crtn)	Foldable (Crtn)
 Net	12,8 kg	13,2 kg
Gross	13,8 kg	14,2 kg
 Loading Info	20' DC : 280 pcs. 40' DC : 560 pcs. 40' HC : 650 pcs. 90 cbm truck : 800 pcs.	20' DC : 280 pcs. 40' DC : 560 pcs. 40' HC : 650 pcs. 90 cbm truck : 800 pcs.
 Packaging Details	1 pc / crtn 80x80x21 cm 0,134 cbm	1 pc / crtn 80x80x21 cm 0,134 cbm




NEW

Table **Moon-C** Square Table




60x60 / 69x69 / 77x77 cm.
fixed or foldable






60x60 cm.

	Fixed (Crtn)	Foldable (Crtn)
 Net	13,5 kg	13,9 kg
Gross	14,5 kg	14,9 kg
 Loading Info	20' DC : 320 pcs 40' DC : 640 pcs 40' HC : 760 pcs 90 cbm truck : 900 pcs	20' DC : 320 pcs 40' DC : 640 pcs 40' HC : 760 pcs 90 cbm truck : 900 pcs
 Packaging Details	1 pc / crtn 68x64x20 cm 0,091 cbm	1 pc / crtn 68x64x20 cm 0,091 cbm

69x69 cm.

	Fixed (Crtn)	Foldable (Crtn)
 Net	15,3 kg	15,7 kg
Gross	16,3 kg	16,7 kg
 Loading Info	20' DC : 320 pcs 40' DC : 640 pcs 40' HC : 760 pcs 90 cbm truck : 900 pcs	20' DC : 320 pcs 40' DC : 640 pcs 40' HC : 760 pcs 90 cbm truck : 900 pcs
 Packaging Details	1 pc / crtn 67x65x21 cm 0,091 cbm	1 pc / crtn 67x65x21 cm 0,091 cbm

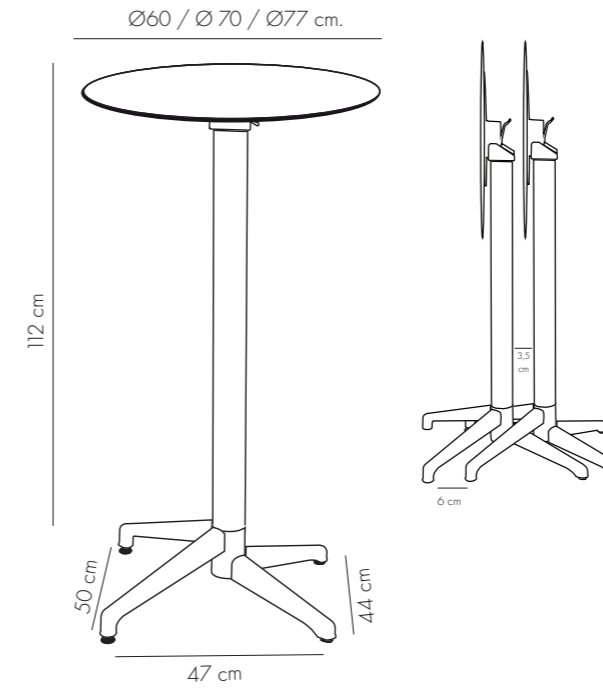
77x77 cm.

	Fixed (Crtn)	Foldable (Crtn)
 Net	17,3 kg	17,5 kg
Gross	18,3 kg	18,5 kg
 Loading Info	20' DC : 280 pcs. 40' DC : 560 pcs. 40' HC : 650 pcs. 90 cbm truck : 800 pcs.	20' DC : 280 pcs. 40' DC : 560 pcs. 40' HC : 650 pcs. 90 cbm truck : 800 pcs.
 Packaging Details	1 pc / crtn 80x80x21 cm 0,134 cbm	1 pc / crtn 80x80x21 cm 0,134 cbm

NEW


Bar Table **Moon-C**


Ø60 / Ø70 / Ø77 cm.
fixed or foldable




Ø60 cm.


	Fixed (Crtn)	Foldable (Crtn)
	Net : 11,9 kg Gross : 12,9 kg	Net : 12,3 kg Gross : 13,3 kg


	Loading Info	Loading Info
	20' DC : 300 pcs 40' DC : 600 pcs 40' HC : 700 pcs 90 cbm truck : 850 pcs	20' DC : 300 pcs 40' DC : 600 pcs 40' HC : 700 pcs 90 cbm truck : 850 pcs

	Packaging Details	Packaging Details
	2 pcs set 67x65x21 cm (top) 9x9x106 (base) 0,1 cbm	2 pcs set 67x65x21 cm (top) 9x9x106 cm (base) 0,1 cbm

Ø70 cm.


	Fixed (Crtn)	Foldable (Crtn)
	Net : 12,9 kg Gross : 13,9 kg	Net : 13,3 kg Gross : 14,3 kg


	Loading Info	Loading Info
	20' DC : 300 pcs 40' DC : 600 pcs 40' HC : 700 pcs 90 cbm truck : 850 pcs	20' DC : 300 pcs 40' DC : 600 pcs 40' HC : 700 pcs 90 cbm truck : 850 pcs

	Packaging Details	Packaging Details
	2 pcs set 67x65x21 cm (top) 9x9x106 cm (base) 0,1 cbm	2 pcs set 67x65 x21 cm (top) 9x9x106 cm (base) 0,1 cbm

Ø77 cm.

	Fixed (Crtn)	Foldable (Crtn)
	Net : 13,4 kg Gross : 14,4 kg	Net : 13,8 kg Gross : 14,8 k

	Loading Info	Loading Info
	20'DC : 270 pcs. 40'DC : 540 pcs. 40'HC : 630 pcs. 90 cbm truck : 790 pcs	20'DC : 270 pcs. 40'DC : 540 pcs. 40'HC : 630 pcs. 90 cbm truck : 790 pcs

	Packaging Details	Packaging Details
	2 pc / set 65x65x21 cm (top) 9x9x406 cm (base) 0,012 cbm	2 pc / set 65x65x21 cm (top) 9x9x406 cm (base) 0,012 cbm

Bar Table **Moon-C**

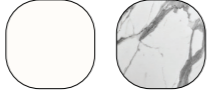

Base & Top		 Ivory White & White Marble	 Black & Black Marble
Ø60 cm.	fixed	101013301	101013302
	foldable	101013300	101013299
Ø69 cm.	fixed	101013304	101013303
	foldable	101013305	101013306
Ø77 cm.	fixed	101013309	101013307
	foldable	101013307	101013308

Table **Moon** Ø60 cm

Coffee Table
fixed only

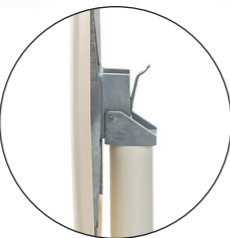


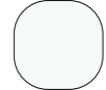
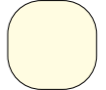
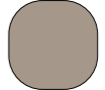

Table
fixed or foldable



Bar Table
fixed or foldable



Table **Moon**
Ø60 cm fixed or foldable

	 Ivory White	 Cream	 Coffee	 Black
fixed	101020938	101020939	101020941	101020942
foldable	101020943	101020944	101020946	101020947

Bar Table **Moon**
Ø60 cm fixed or foldable

fixed	101020948	101020949	101020951	101020952
foldable	101020953	101020954	101020956	101020957

Coffee Table **Moon**
Ø60 cm fixed only

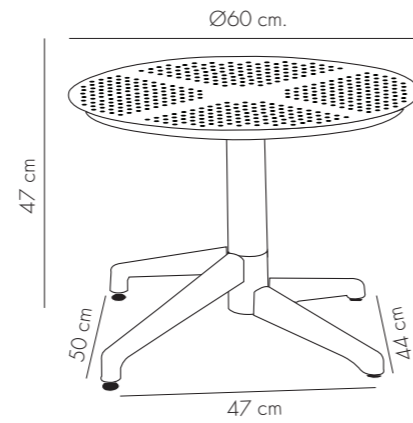
fixed	101020958	101020959	101020961	101020962
-------	-----------	-----------	-----------	-----------

This product has CATAS certificate.

Table **Moon** Ø60 cm



Coffee Table fixed only

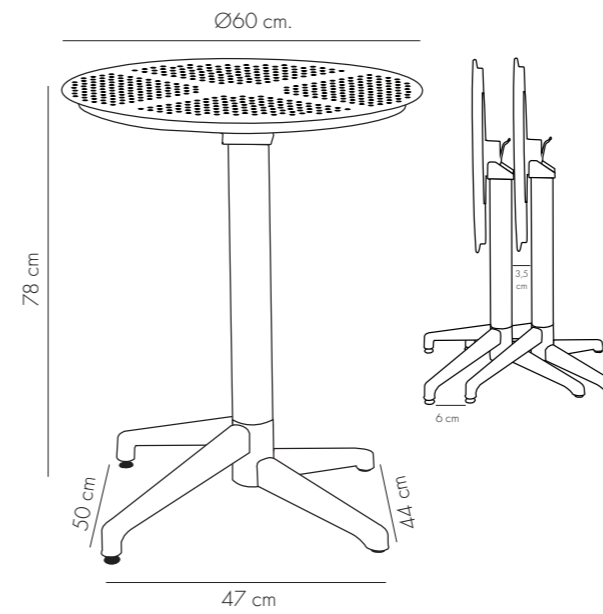


Crtn
 Net : 4,45 kg
 Gross : 5,75 kg

Loading Info
 20' DC : 320 pcs
 40' DC : 640 pcs
 40' HC : 760 pcs
 90 cbm truck : 900 pcs

Packaging Details
 1 pc / crtn
 68x64x20 cm
 0,091 cbm

Table fixed or foldable



Fixed (Crtn)
 Net : 9,40 kg
 Gross : 10,70 kg

Loading Info
 20' DC : 320 pcs
 40' DC : 640 pcs
 40' HC : 760 pcs
 90 cbm truck : 900 pcs

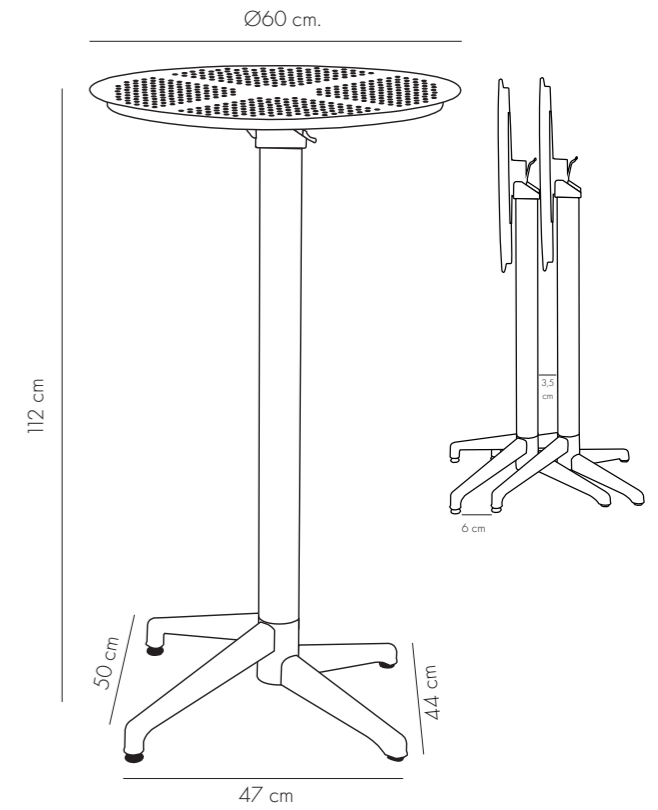
Packaging Details
 1 pc / crtn
 68x64x20 cm
 0,091 cbm

Foldable (Crtn)
 Net : 9,75 kg
 Gross : 11,05 kg

Loading Info
 20' DC : 320 pcs
 40' DC : 640 pcs
 40' HC : 760 pcs
 90 cbm truck : 900 pcs

Packaging Details
 1 pc / crtn
 68x64x20 cm
 0,091 cbm

Bar Table fixed or foldable



Fixed (Crtn)
 Net : 10,00 kg
 Gross : 11,60 kg

Loading Info
 20' DC : 300 pcs
 40' DC : 600 pcs
 40' HC : 700 pcs
 90 cbm truck : 850 pcs

Packaging Details
 2 pcs set
 67x65x21 cm (top)
 9x9x106 (base)
 0,1 cbm

Foldable (Crtn)
 Net : 10,40 kg
 Gross : 11,95 kg

Loading Info
 20' DC : 300 pcs
 40' DC : 600 pcs
 40' HC : 700 pcs
 90 cbm truck : 850 pcs

Packaging Details
 2 pcs set
 67x65x21 cm (top)
 9x9x106 cm (base)
 0,1 cbm

Table **Moon-S** Ø70 cm

Table
fixed or foldable



Bar Table
fixed or foldable



Table **Moon-S**
Ø70 cm fixed or foldable



	Ivory White	Cream	Coffee	Black
fixed	101030307	101030309	101030317	101030314
foldable	101030319	101030321	101030330	101030327

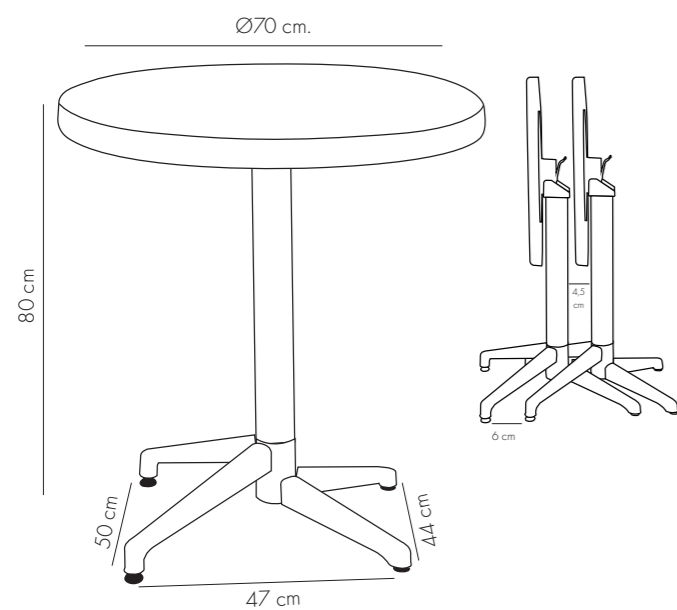
Bar Table **Moon-S**
Ø70 cm fixed or foldable

fixed	101030331	101030333	101030342	101030339
foldable	101030343	101030345	101030354	101030350

This product has CATAS certificate.

Table

fixed or foldable



Fixed (Crtn)
 Net : 8,95 kg
 Gross : 10,00 kg

Foldable (Crtn)
 Net : 9,45 kg
 Gross : 10,60 kg

Loading Info
 20' DC : 320 pcs
 40' DC : 640 pcs
 40' HC : 760 pcs
 90 cbm truck : 900 pcs

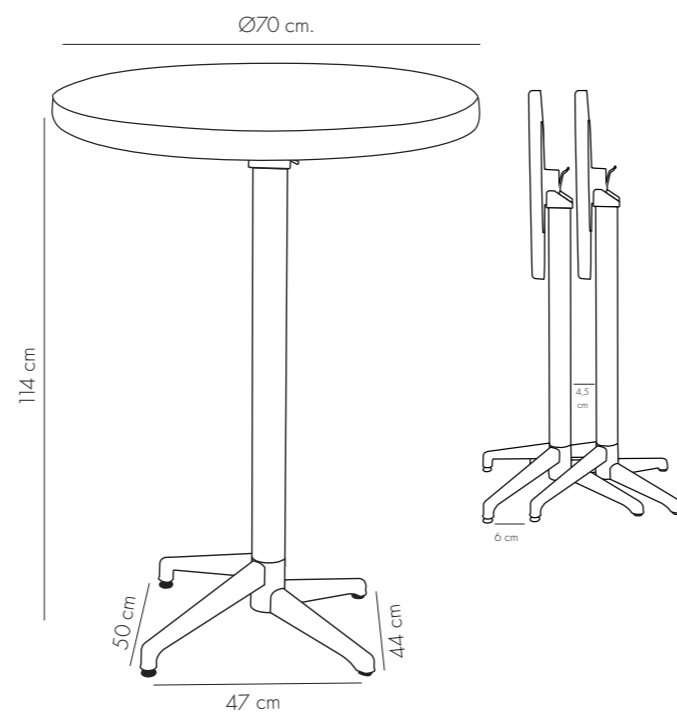
Loading Info
 20' DC : 320 pcs
 40' DC : 640 pcs
 40' HC : 760 pcs
 90 cbm truck : 900 pcs

Packaging Details
 1 pc / crtn
 67x65x21 cm
 0,091 cbm

Packaging Details
 1 pc / crtn
 67x65x21 cm
 0,091 cbm

Bar Table

fixed or foldable



Fixed (Crtn)
 Net : 9,50 kg
 Gross : 10,50 kg

Foldable (Crtn)
 Net : 10,00 kg
 Gross : 11,25 kg

Loading Info
 20' DC : 300 pcs
 40' DC : 600 pcs
 40' HC : 700 pcs
 90 cbm truck : 850 pcs

Loading Info
 20' DC : 300 pcs
 40' DC : 600 pcs
 40' HC : 700 pcs
 90 cbm truck : 850 pcs

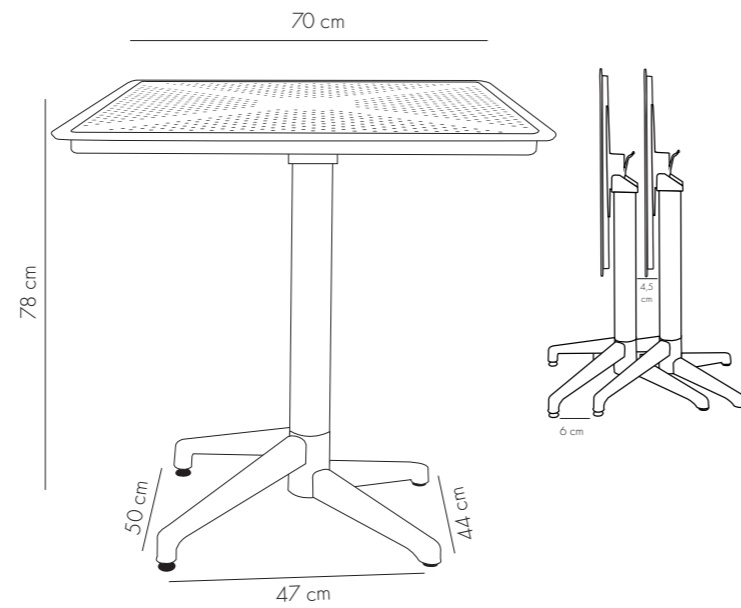
Packaging Details
 2 pcs set
 67x65x21 cm (top)
 9x9x106 cm (base)
 0,1 cbm

Packaging Details
 2 pcs set
 67x65x21 cm (top)
 9x9x106 cm (base)
 0,1 cbm



Table **Moon** 70x70 cm

fixed or foldable



Fixed (Crtn)
Net : 9,25 kg
Gross : 10,50 kg

Foldable (Crtn)
Net : 9,65 kg
Gross : 10,90 kg



Loading Info
20' DC : 250 pcs
40' DC : 500 pcs
40' HC : 580 pcs
90 cbm truck : 750 pcs

Loading Info
20' DC : 250 pcs
40' DC : 500 pcs
40' HC : 580 pcs
90 cbm truck : 750 pcs

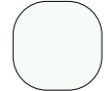
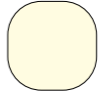
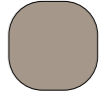



Packaging Details
1 pc / crtn
72x75x22 cm
0,12 cbm

Packaging Details
1 pc / crtn
72x75x22 cm
0,12 cbm



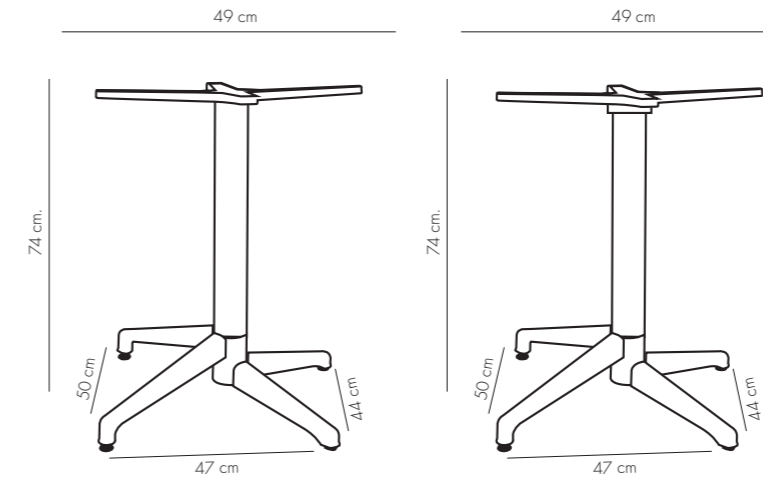
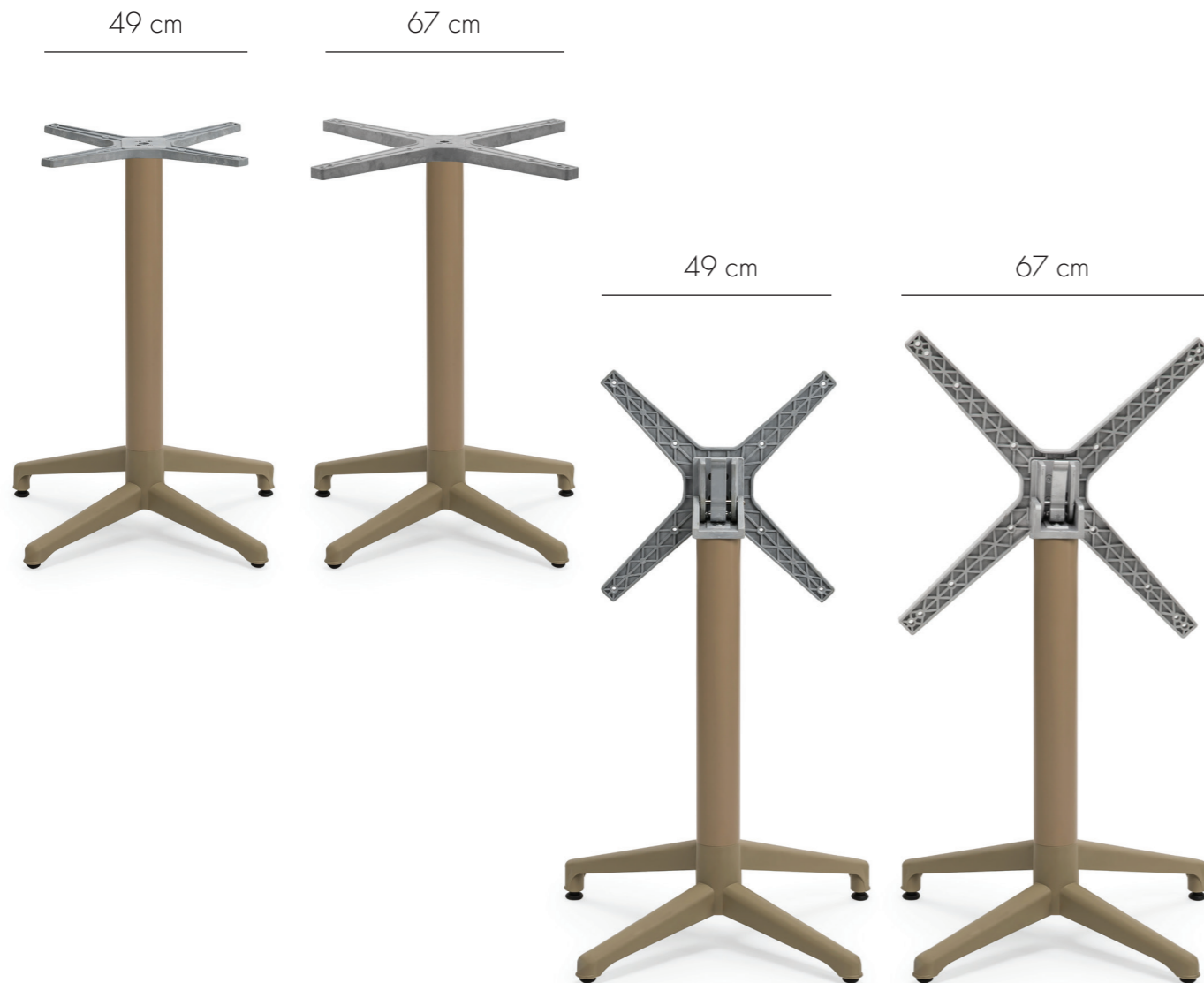
Table **Moon**
70x70 cm fixed or foldable

	 Ivory White	 Cream	 Coffee	 Black
fixed	101030381	101030383	101030382	101030385
foldable	101030366	101030377	101030358	101030327

This product has CATAS certificate.

Table Base **Moon**

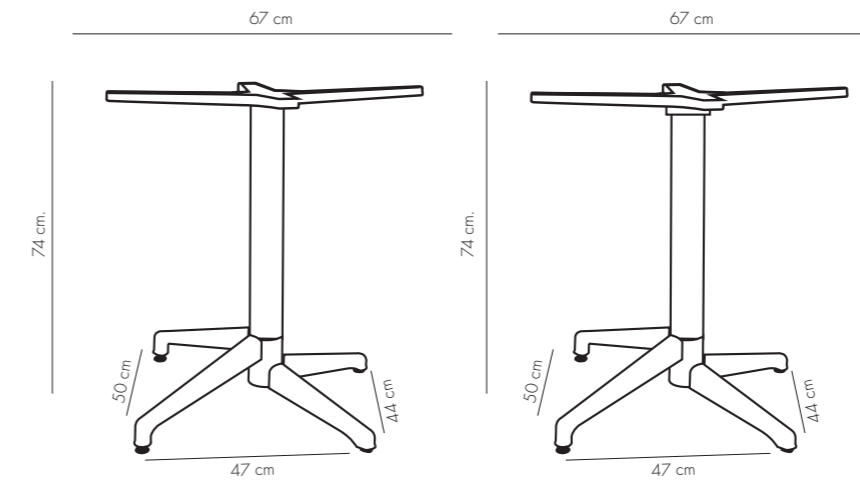
fixed or foldable



Base 49 cm.

Kg	Fixed (Crtn)	Foldable (Crtn)
	Net : 7,30 kg Gross : 8,30 kg	Net : 7,75 kg Gross : 8,75 kg
Crate icon	Loading Info	Loading Info
	20' DC : 380 pcs.	20' DC : 380 pcs.
	40' DC : 760 pcs.	40' DC : 760 pcs.
	40' HC : 900 pcs.	40' HC : 900 pcs.
	90 cbm truck : 1000 pcs.	90 cbm truck : 1000 pcs.
Box icon	Packaging Details	Packaging Details
	1 pc / crtn	1 pc / crtn
	61x53x24 cm 0,062 cbm	61x53x24 cm 0,062 cbm

Applicable table tops for Moon base 49 cm; Ø50 cm. , Ø60 cm. , Ø70 cm. , 50x50 cm. , 60x60 cm.



Base 67 cm.

Kg	Fixed (Crtn)	Foldable (Crtn)
	Net : 7,90 kg Gross : 8,90 kg	Net : 8,35 kg Gross : 9,35 kg
Crate icon	Loading Info	Loading Info
	20' DC : 380 pcs.	20' DC : 380 pcs.
	40' DC : 760 pcs.	40' DC : 760 pcs.
	40' HC : 900 pcs.	40' HC : 900 pcs.
	90 cbm truck : 1000 pcs.	90 cbm truck : 1000 pcs.
Box icon	Packaging Details	Packaging Details
	1 pc / crtn	1 pc / crtn
	61x53x24 cm 0,062 cbm	61x53x24 cm 0,062 cbm

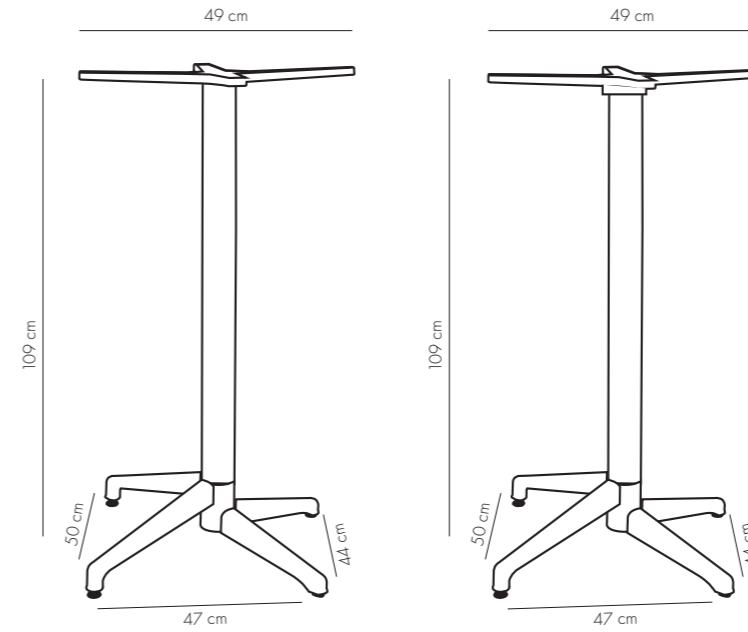
Applicable table tops for Moon base 67 cm; Ø80 cm. , Ø90 cm. , 70x70 cm. , 80x80 cm. , 90x90 cm.

Table Moon Base fixed or foldable				
	Ivory White	Cream	Coffee	Black
fixed 49 cm	203060135	203060136	203060137	203060139
foldable 49 cm	203060146	203060145	203060144	203060143
fixed 67 cm	202010070	202010071	202010073	202010072
foldable 67 cm	202010074	202010075	202010077	202010076


This product has CATAS certificate.


Table Base **Moon Bar**


fixed or foldable



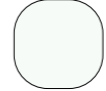
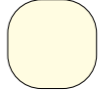
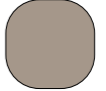

Bar Base

	Fixed (Crtn)	Foldable (Crtn)
 Kg	Net : 7,90 kg Gross : 9,20 kg	Net : 8,30 kg Gross : 9,60 kg

	Loading Info	Loading Info
	20' DC : 300 pcs 40' DC : 600 pcs 40' HC : 700 pcs 90 cbm truck : 850 pcs	20' DC : 300 pcs 40' DC : 600 pcs 40' HC : 700 pcs 90 cbm truck : 850 pcs

	Packaging Details	Packaging Details
	2 pcs / crtn 61x53x24 cm 9x9x106 cm 0,086 cbm	2 pcs / crtn 61x53x24 cm 9x9x106 cm 0,086 cbm

Bar Table **Moon Base** fixed or foldable

	 Ivory White	 Cream	 Coffee	 Black
fixed	203060150	203060148	203060147	203060152
foldable	203060157	203060158	203060156	203060155

This product has CATAS certificate.

Savaş Plastik A.Ş.

Beysan Sanayi Sitesi, Birlik Caddesi No:18
34524 Beylikdüzü, İstanbul, Türkiye

Tel: +90 212 422 34 06

Web: www.tiliafurniture.com

E-mail: info@tilia.com.tr

Instagram: [/tiliafurniture](https://www.instagram.com/tiliafurniture)

Facebook: [/tiliafurniture](https://www.facebook.com/tiliafurniture)



Website